

**LEGEND:**

- X116 LINE: - - -
- X116 STR: 5



LINE X116, 115kV LINE  
STATE OWNED LAND CROSSING, LOCATION PLAN  
LONDONDERRY AND HUDSON, NEW HAMPSHIRE  
EXHIBIT 1

T	1
DRAWN JAM/TRC	
ENGINEER GEL/TRC	
CHECKED SEK/TRC	
APPROVED BRK/TRC	
DATE 06/28/21	

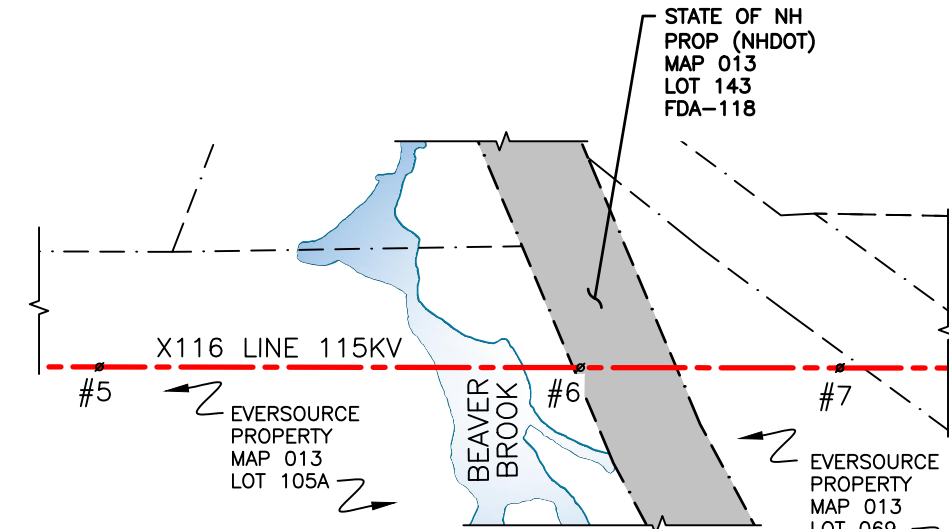
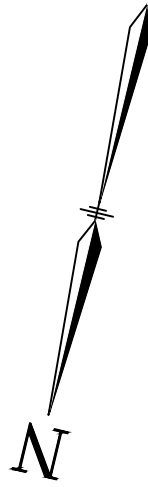
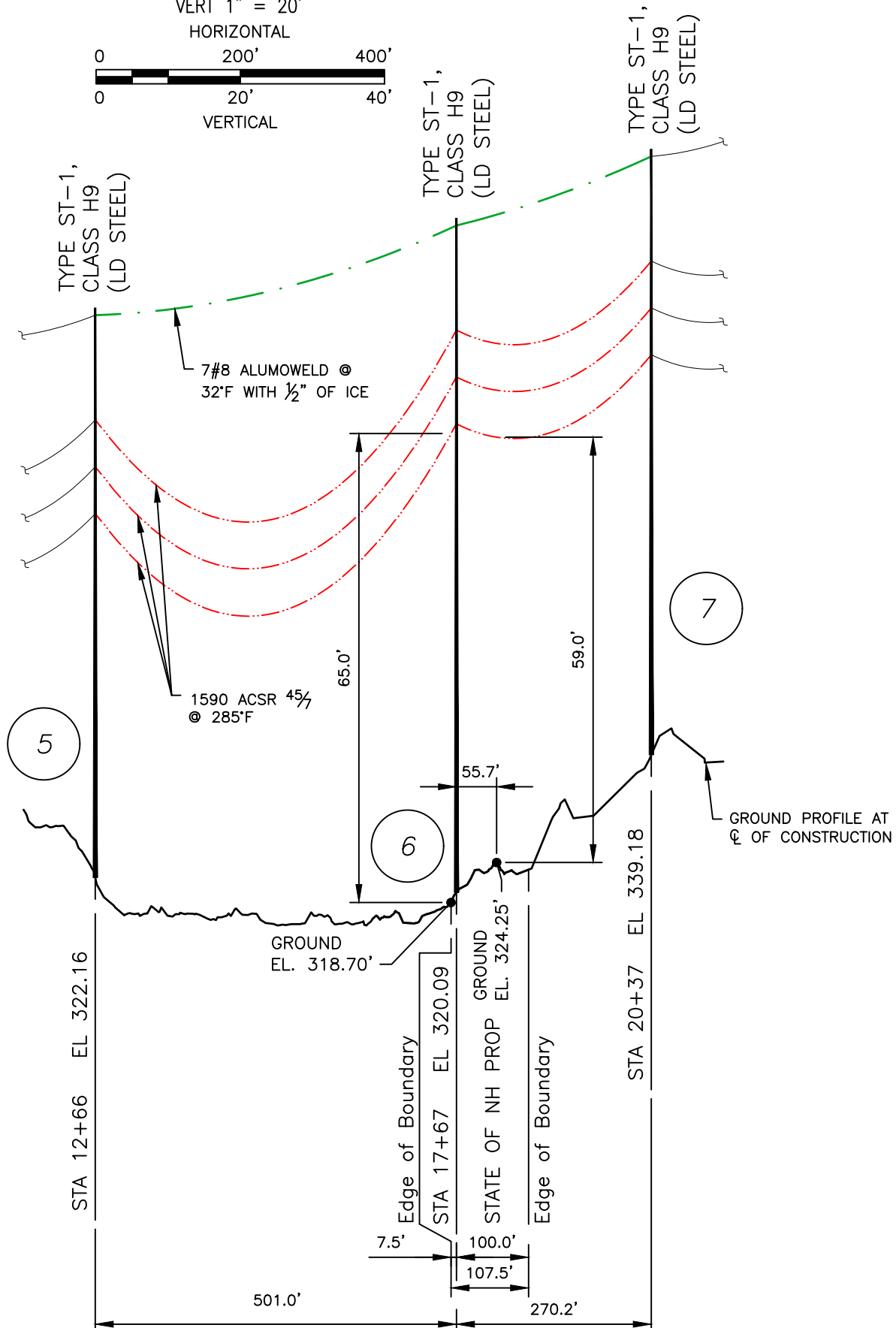
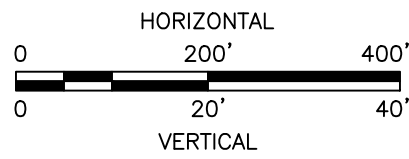
1	ISSUED TO PUC	06/21	JAM	SEK	BRK
DWG REV	EPN/DESCRIPTION	CONT/PE#	DATE	DRN	CHKD

SCALE 1" = 6000'	FILE: X11643501.DWG
IMAGE:	

DRAWING NO. <b>X11643501</b>
---------------------------------

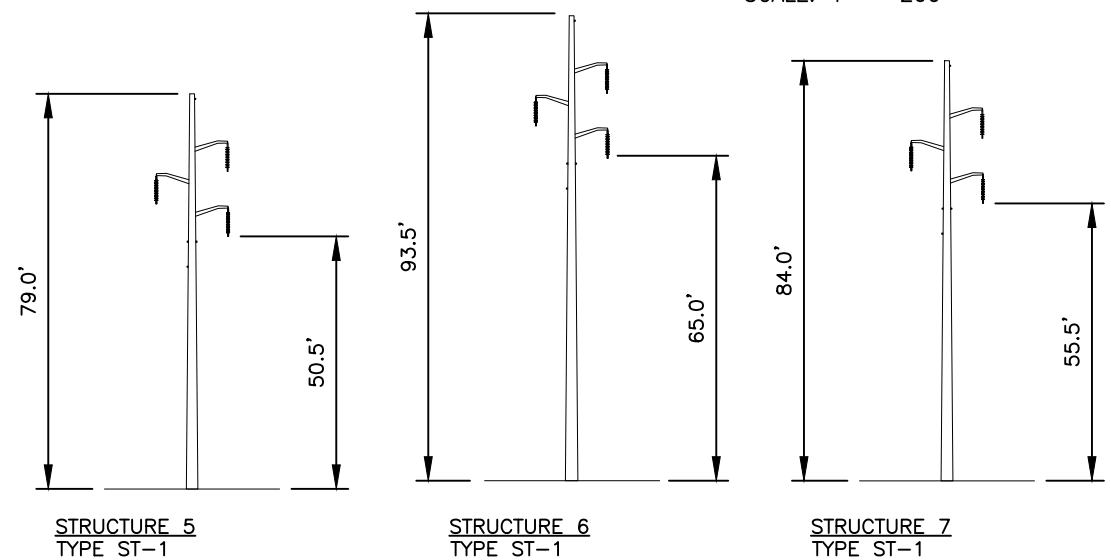
### PROFILE VIEW

SCALE: HORZ 1" = 200'  
VERT 1" = 20'



### PLAN VIEW

SCALE: 1" = 200'



**STRUCTURE 5**  
TYPE ST-1  
STR 5: IS AN EVERSOURCE TYPE ST-1, SINGLE CIRCUIT STEEL TANGENT STRUCTURE, DELTA CONFIG.

**STRUCTURE 6**  
TYPE ST-1  
STR 6: IS AN EVERSOURCE TYPE ST-1, SINGLE CIRCUIT STEEL TANGENT STRUCTURE, DELTA CONFIG.

**STRUCTURE 7**  
TYPE ST-1  
STR 7: IS AN EVERSOURCE TYPE ST-1, SINGLE CIRCUIT STEEL TANGENT STRUCTURE, DELTA CONFIG.

### STRUCTURE DETAILS

SCALE: NTS

### LEGEND:

- ⊙ #5 STRUCTURE
- ▨ STATE OF NEW HAMPSHIRE PROPERTY
- PROPERTY BOUNDARY
- X116 LINE 115KV
- LINE, ☉ OF CONSTRUCTION
- LIMITS OF EVERSOURCE RIGHT OF WAY

STRUCTURE LOCATION		
STRUCTURE	LONGITUDE	LATITUDE
5	-71.34376660	42.90131175
6	-71.34558708	42.90099866
7	-71.34656914	42.90082974

NESC VERTICAL CLEARANCE (FT) FROM TABLE 232.1	
NATURE OF SURFACE UNDERNEATH WIRES, CONDUCTORS OR CABLES	115kV
TRACK RAILS OF RAILROADS	28.1

CABLE SCHEDULE						
WIRE	QTY OF CABLES	DESCRIPTION	DESIGN CONDITIONS			
			MAX DESIGN TENSION (lb)	TEMP (°F)	ICE (in)	WIND (psf)
CONDUCTOR	3	ACSR, 1590 kcmil 45/7, LAPWING	10500	0	0.5	4
STATIC	1	7 No. 8 AW	4500	0	0.5	4

### NOTES:

1. PARCEL INFORMATION PROVIDED BY NH GRANIT.
2. ELEVATIONS REFERENCED TO THE NORTH AMERICAN VERTICAL DATUM OF 1988.

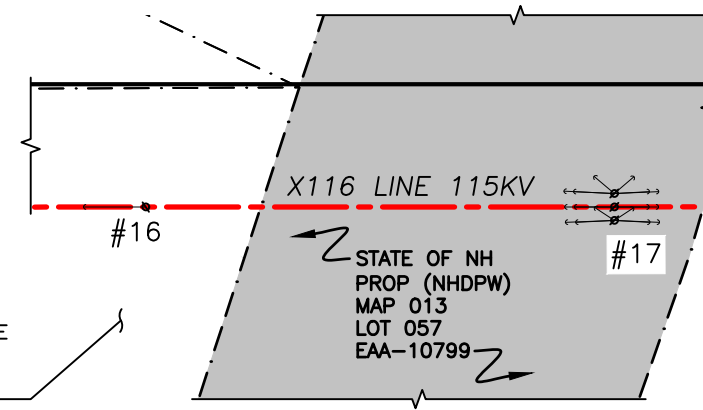
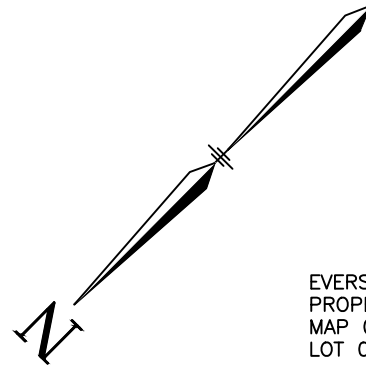
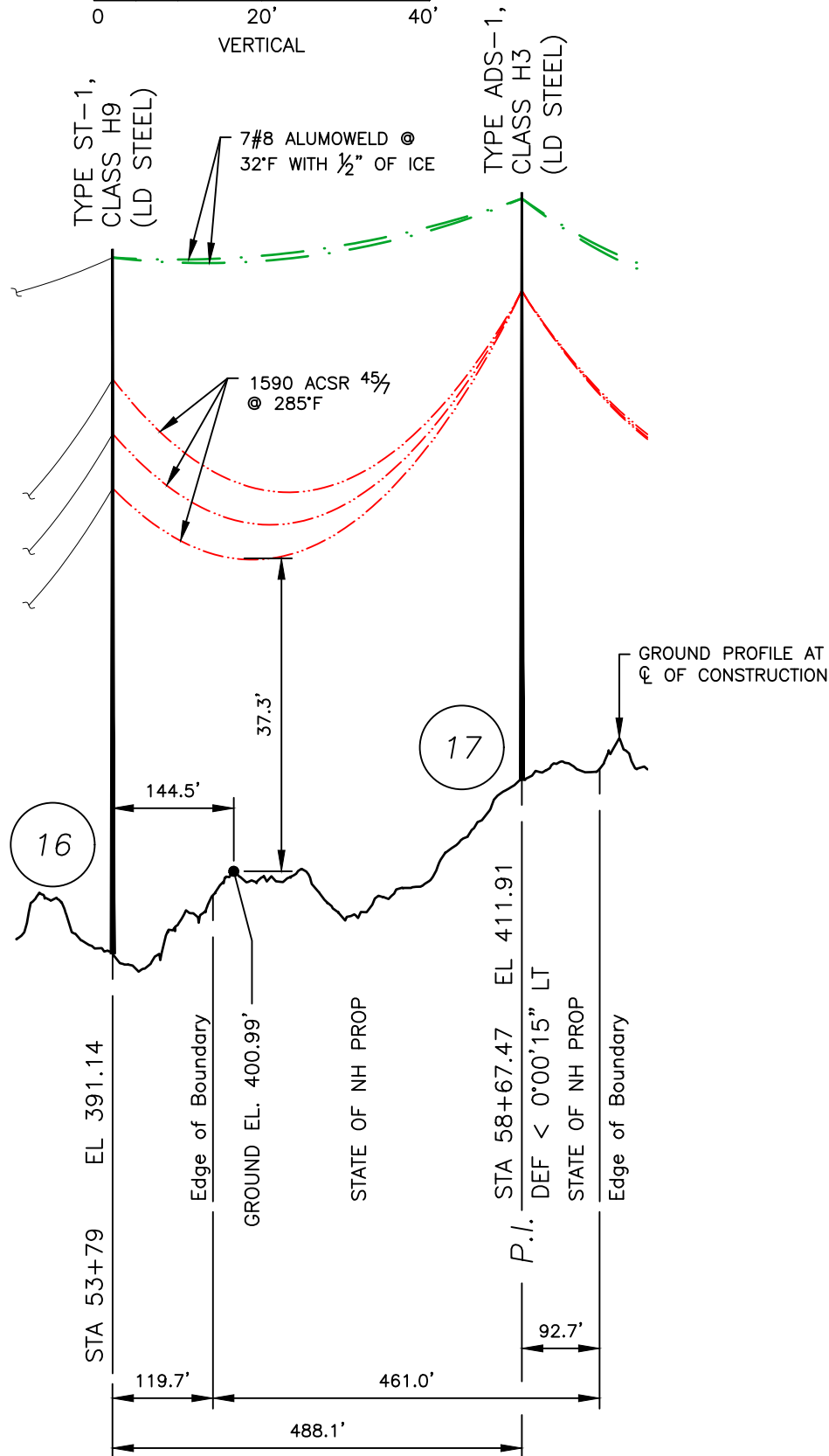
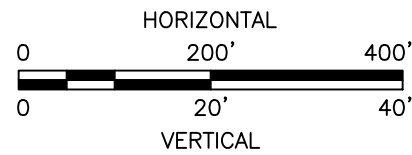
DWG REV	ISSUED TO PUC	EPN/DESCRIPTION	CONT/PE#	DATE	JAM	GEL	BRK
1				06/21			

**LINE X116, 115kV LINE  
STATE OWNED LAND CROSSING  
LONDONDERRY, NEW HAMPSHIRE  
EXHIBIT 2**

SCALE AS SHOWN	FILE: X11643501.DWG IMAGE:	DRAWING NO. <b>X11643501</b>
-------------------	-------------------------------	---------------------------------

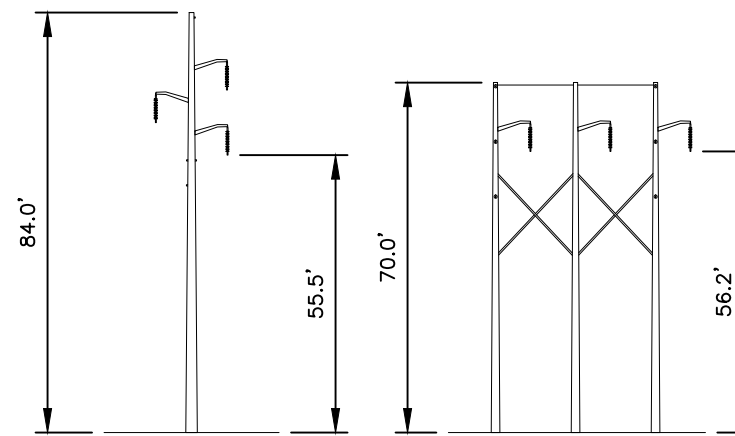
### PROFILE VIEW

SCALE: HORZ 1" = 200'  
VERT 1" = 20'



### PLAN VIEW

SCALE: 1" = 200'



STRUCTURE 16  
TYPE ST-1

STR 16: IS AN EVERSOURCE TYPE ST-1, SINGLE CIRCUIT STEEL TANGENT STRUCTURE, DELTA CONFIG., GUYED.

STRUCTURE 17  
TYPE ADS-1

STR 17: IS AN EVERSOURCE TYPE ADS-1, SINGLE CIRCUIT STEEL DEADEND STRUCTURE, HORIZONTAL CONFIG., GUYED.

### STRUCTURE DETAILS

SCALE: NTS

### LEGEND:

- #17 STRUCTURE (WITH GUYS)
- STATE OF NEW HAMPSHIRE PROPERTY
- PROPERTY BOUNDARY
- X116 LINE 115KV
- LINE, Q OF CONSTRUCTION
- LIMITS OF EVERSOURCE RIGHT OF WAY

### STRUCTURE LOCATION

STRUCTURE	LONGITUDE	LATITUDE
16	-71.35767005	42.89734800
17	-71.35896777	42.89640841

### NESC VERTICAL CLEARANCE (FT) FROM TABLE 232.1

NATURE OF SURFACE UNDERNEATH WIRES, CONDUCTORS OR CABLES	115kV
OTHER AREAS TRAVERSED BY VEHICLES, SUCH AS CULTIVATED, GRAZING, FOREST, AND ORCHARD LANDS, INDUSTRIAL SITES, COMMERCIAL SITES, ETC.	20.1

### NOTES:

- PARCEL INFORMATION PROVIDED BY NH GRANIT.
- ELEVATIONS REFERENCED TO THE NORTH AMERICAN VERTICAL DATUM OF 1988.

### CABLE SCHEDULE

WIRE	QTY OF CABLES	DESCRIPTION	DESIGN CONDITIONS			
			MAX DESIGN TENSION (lb)	TEMP (°F)	ICE (in)	WIND (psf)
CONDUCTOR	3	ACSR, 1590 kcmil 45/7, LAPWING	10500	0	0.5	4
STATIC	2	7 No. 8 AW	4500	0	0.5	4



LINE X116, 115kV LINE  
STATE OWNED LAND CROSSING  
LONDONDERRY, NEW HAMPSHIRE  
EXHIBIT 3

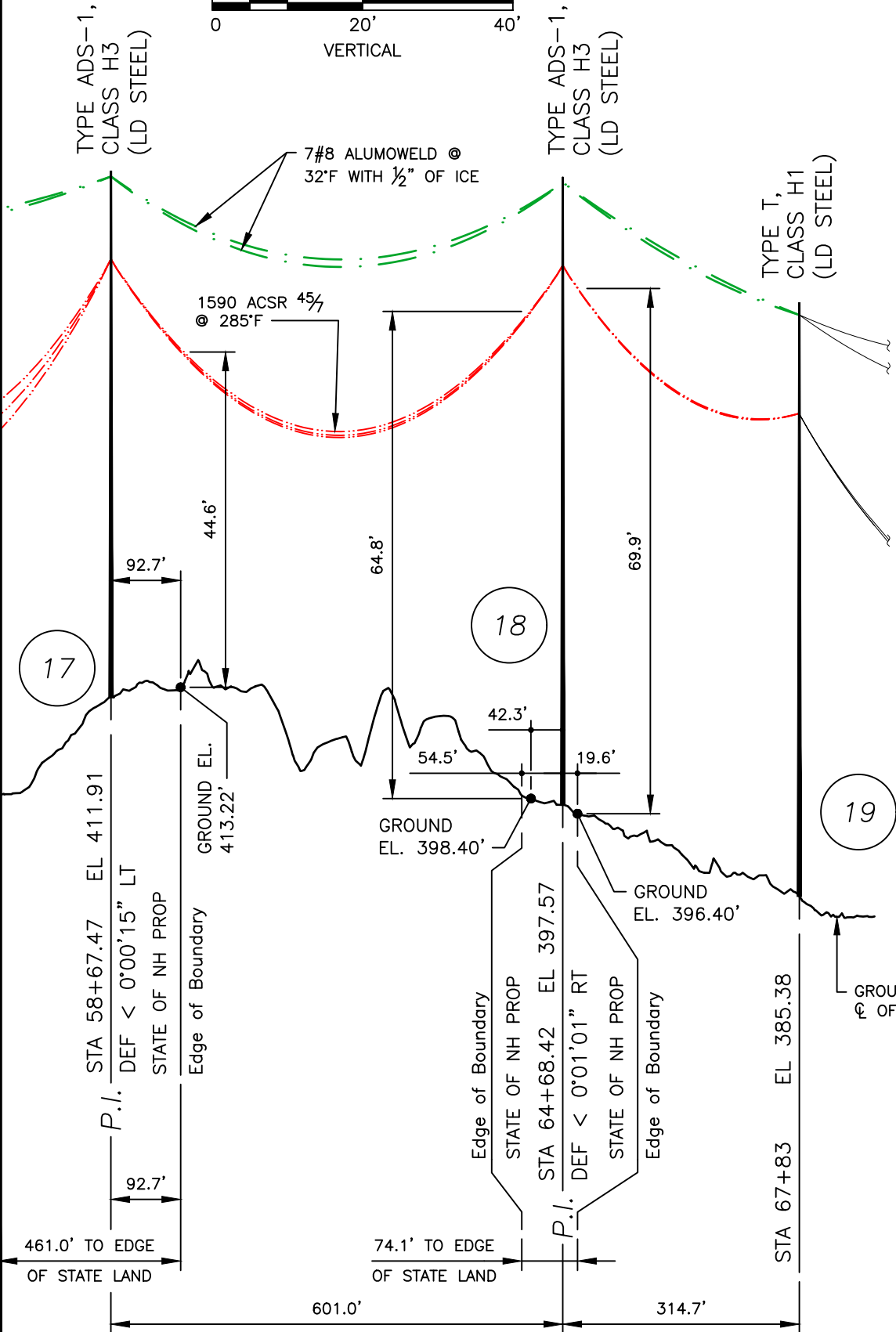
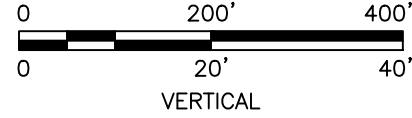
T	1
DRAWN	JAM/TRC
ENGINEER	GEL/TRC
CHECKED	SEK/TRC
APPROVED	BRK/TRC
DATE	06/28/21

DWG REV	ISSUED TO PUC	EPN/DESCRIPTION	CONT/PE#	DATE	DRN	CHKD	BRK	APPR
1				06/21	JAM	GEL	BRK	

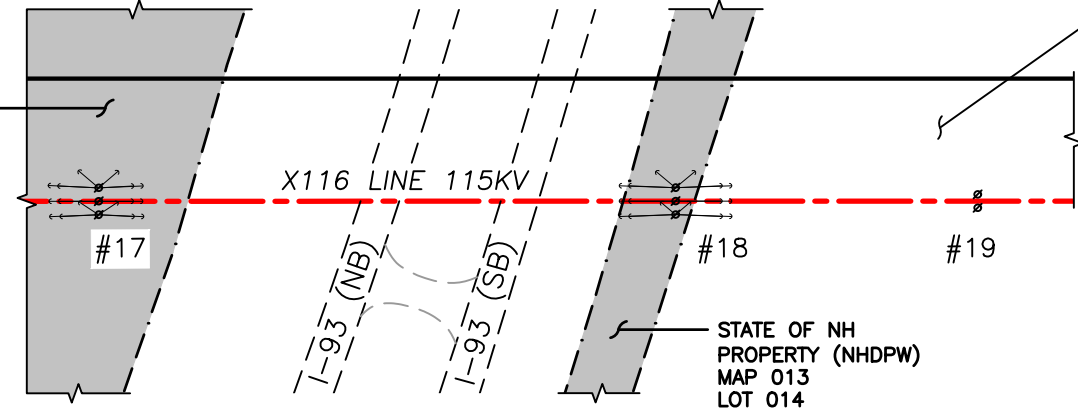
SCALE AS SHOWN	FILE: X11643502.DWG IMAGE:	DRAWING NO. X11643502
-------------------	-------------------------------	--------------------------

### PROFILE VIEW

SCALE: HORZ 1" = 200'  
VERT 1" = 20'  
HORIZONTAL  
VERTICAL



STATE OF NH  
PROPERTY (NHDPW)  
MAP 013  
LOT 057  
EAA-10799



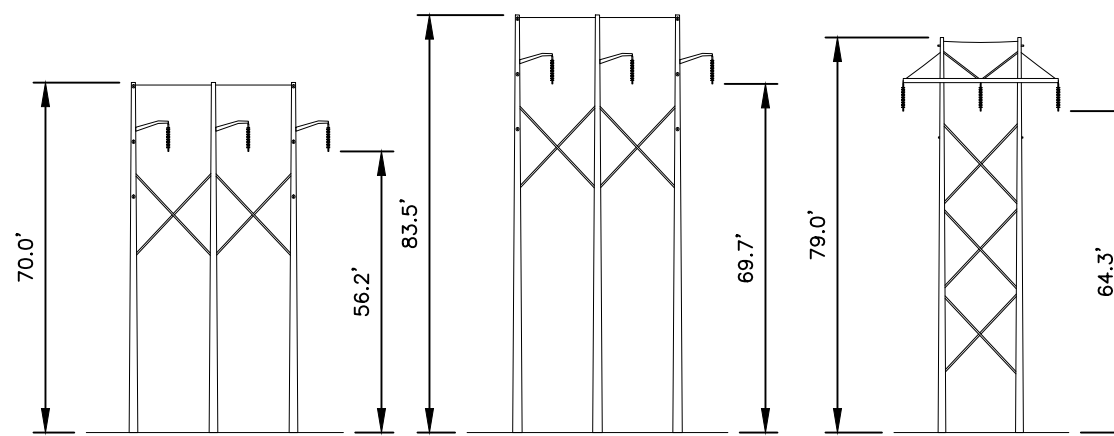
EVERSOURCE  
PROPERTY  
MAP 013  
LOT 013

### PLAN VIEW

SCALE: 1" = 200'

### LEGEND:

- #18 STRUCTURE (WITH GUYS)
- STATE OF NEW HAMPSHIRE PROPERTY
- PROPERTY BOUNDARY
- X116 LINE 115KV LINE, C of CONSTRUCTION
- LIMITS OF EVERSOURCE RIGHT OF WAY



STRUCTURE 17  
TYPE ADS-1

STR 17: IS AN EVERSOURCE TYPE ADS-1, SINGLE CIRCUIT STEEL DEADEND STRUCTURE, HORIZONTAL CONFIG., GUYED.

STRUCTURE 18  
TYPE ADS-1

STR 18: IS AN EVERSOURCE TYPE ADS-1, SINGLE CIRCUIT STEEL DEADEND STRUCTURE, HORIZONTAL CONFIG., GUYED.

STRUCTURE 19  
TYPE T

STR 19: IS AN EVERSOURCE TYPE T, SINGLE CIRCUIT STEEL TANGENT STRUCTURE, HORIZONTAL CONFIG.

### STRUCTURE DETAILS

SCALE: NTS

STRUCTURE LOCATION		
STRUCTURE	LONGITUDE	LATITUDE
17	-71.35896777	42.89640841
18	-71.36056553	42.89525135
19	-71.36140247	42.89464559

NESC VERTICAL CLEARANCE (FT) FROM TABLE 232.1	
NATURE OF SURFACE UNDERNEATH WIRES, CONDUCTORS OR CABLES	115kV
OTHER AREAS TRAVERSED BY VEHICLES, SUCH AS CULTIVATED, GRAZING, FOREST, AND ORCHARD LANDS, INDUSTRIAL SITES, COMMERCIAL SITES, ETC.	20.1

CABLE SCHEDULE						
WIRE	QTY OF CABLES	DESCRIPTION	DESIGN CONDITIONS			
			MAX DESIGN TENSION (lb)	TEMP (°F)	ICE (in)	WIND (psf)
CONDUCTOR	3	ACSR, 1590 kcmil 45/7, LAPWING	10500	0	0.5	4
STATIC	2	7 No. 8 AW	3500	0	0.5	4

### NOTES:

- PARCEL INFORMATION PROVIDED BY NH GRANIT.
- ELEVATIONS REFERENCED TO THE NORTH AMERICAN VERTICAL DATUM OF 1988.

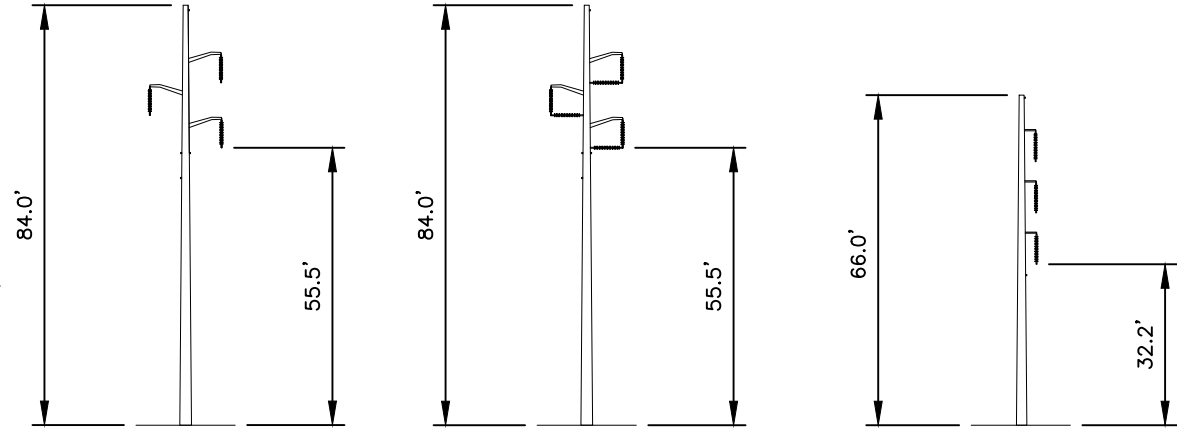
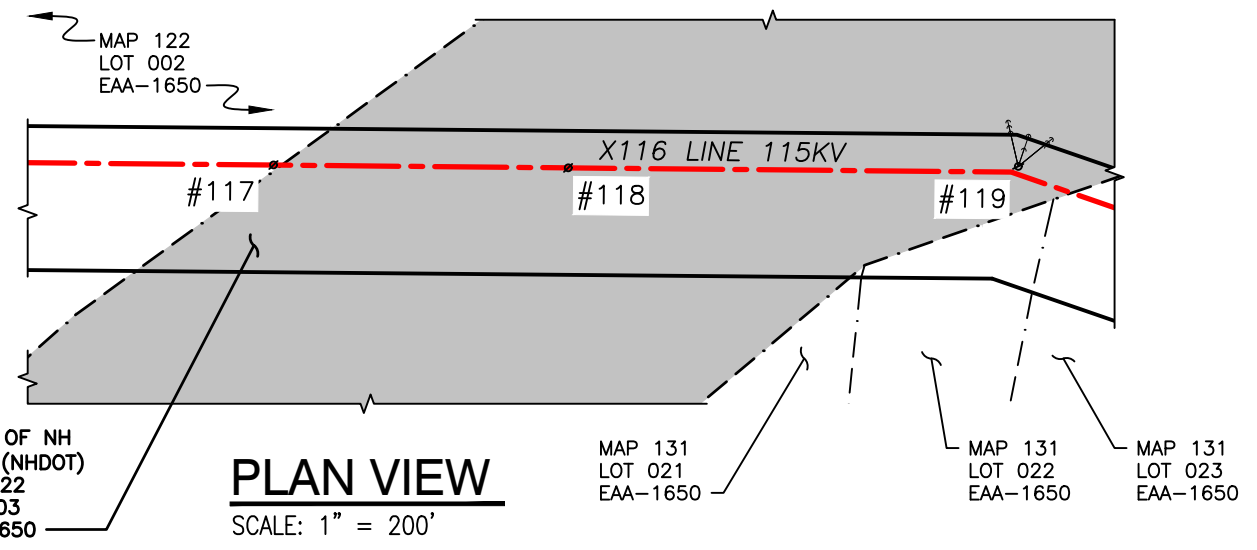
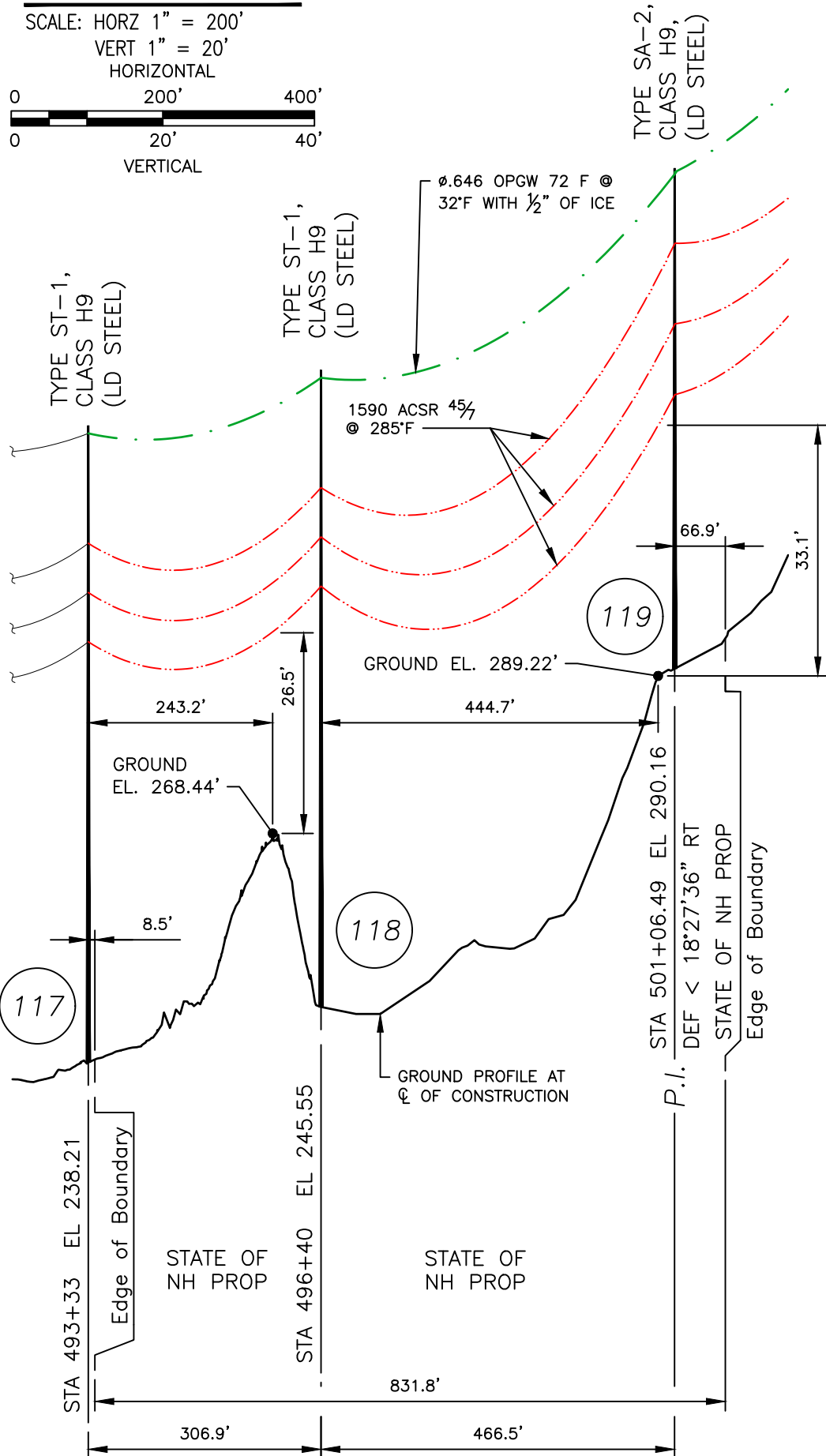
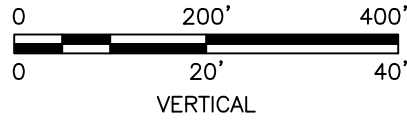
**LINE X116, 115kV LINE  
STATE OWNED LAND CROSSING  
LONDONDERRY, NEW HAMPSHIRE  
EXHIBIT 4**

SCALE AS SHOWN	FILE: X11643502.DWG IMAGE:	DRAWING NO. <b>X11643502</b>
-------------------	-------------------------------	---------------------------------

DWG REV	ISSUED TO PUC EPN/DESCRIPTION	CONT/PE#	DATE	JAM DRN	GEL CHKD	BRK APPR
1	ISSUED TO PUC		06/21	JAM	GEL	BRK

# PROFILE VIEW

SCALE: HORZ 1" = 200'  
VERT 1" = 20'  
HORIZONTAL



**STRUCTURE 117**  
TYPE ST-1  
STR 117: IS AN EVERSOURCE TYPE ST-1, SINGLE CIRCUIT TANGENT STEEL STRUCTURE, DELTA CONFIG.

**STRUCTURE 118**  
TYPE ST-1  
STR 118: IS AN EVERSOURCE TYPE ST-1, SINGLE CIRCUIT TANGENT STEEL STRUCTURE, DELTA CONFIG. W/ COND. STRUTS.

**STRUCTURE 119**  
TYPE SA-2  
STR 119: IS AN EVERSOURCE TYPE SA-2, SINGLE CIRCUIT ANGLE STEEL STRUCTURE, VERTICAL CONFIG., GUYED.

## STRUCTURE DETAILS

SCALE: NTS

CABLE SCHEDULE						
WIRE	QTY OF CABLES	DESCRIPTION	DESIGN CONDITIONS			
			MAX DESIGN TENSION (lb)	TEMP (°F)	ICE (in)	WIND (psf)
CONDUCTOR	3	ACSR, 1590 kcmil 45/7, LAPWING	11500	0	0.5	4
OPGW	1	72F Ø.646 AFL CC-101/59/646	5500	0	0.5	4

### LEGEND:

- #119 STRUCTURE (WITH GUYS)
- STATE OF NEW HAMPSHIRE PROPERTY
- PROPERTY BOUNDARY
- X116 LINE 115KV
- LINE,  $\phi$  OF CONSTRUCTION
- LIMITS OF EVERSOURCE RIGHT OF WAY

STRUCTURE LOCATION		
STRUCTURE	LONGITUDE	LATITUDE
117	-71.41852805	42.80031752
118	-71.41854230	42.79947554
119	-71.41854169	42.79818930

NESC VERTICAL CLEARANCE (FT) FROM TABLE 232.1	
NATURE OF SURFACE UNDERNEATH WIRES, CONDUCTORS OR CABLES	115kV
OTHER AREAS TRAVERSED BY VEHICLES, SUCH AS CULTIVATED, GRAZING, FOREST, AND ORCHARD LANDS, INDUSTRIAL SITES, COMMERCIAL SITES, ETC.	20.1

### NOTES:

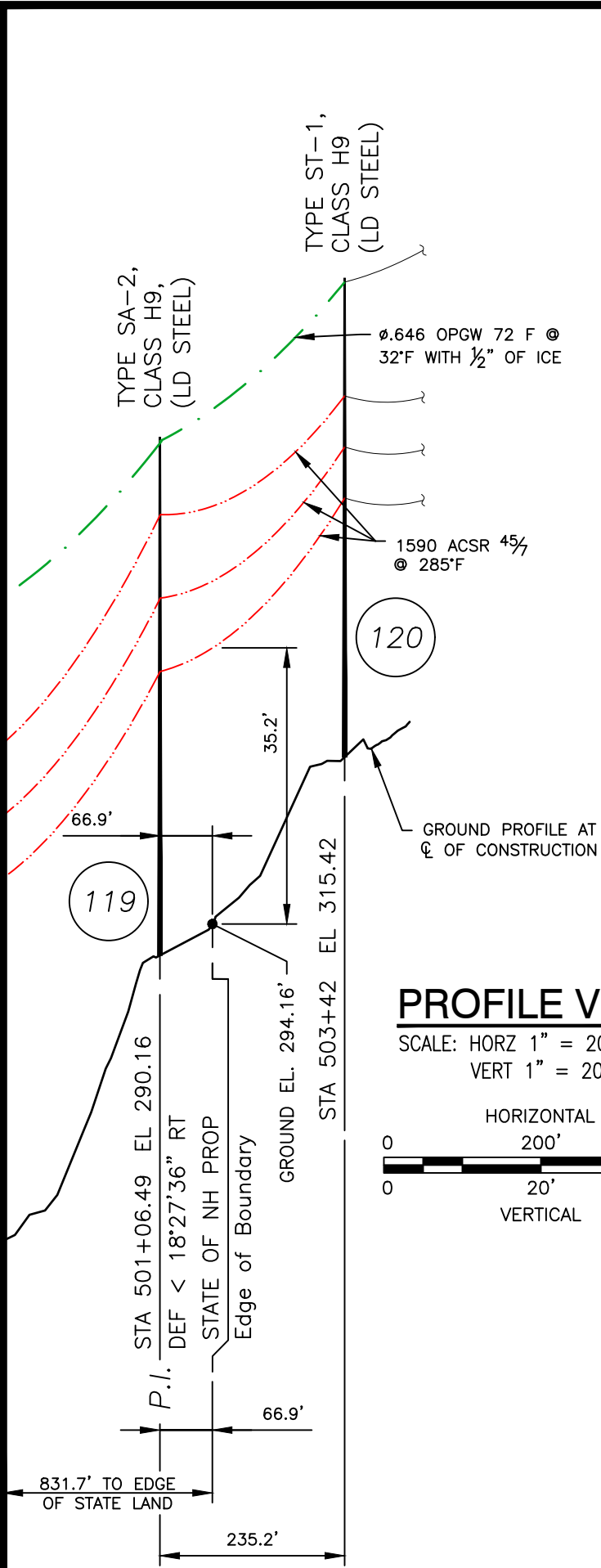
1. PARCEL INFORMATION PROVIDED BY NH GRANIT.
2. ELEVATIONS REFERENCED TO THE NORTH AMERICAN VERTICAL DATUM OF 1988.

1	ISSUED TO PUC	06/21	JAM	GEL	BRK
DWG REV	EPN/DESCRIPTION	CONT/PE#	DATE	DRN	CHKD

## EVERSOURCE ENERGY

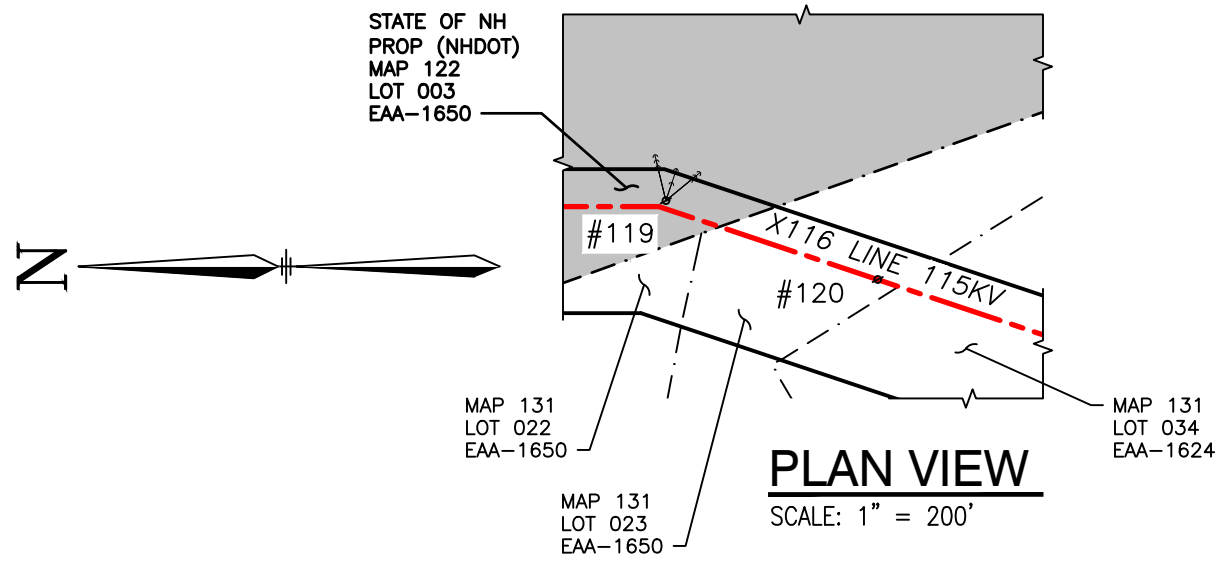
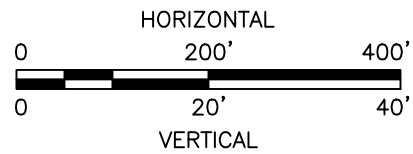
LINE X116, 115kV LINE  
STATE OWNED LAND CROSSING  
HUDSON, NEW HAMPSHIRE  
EXHIBIT 5

SCALE AS SHOWN	FILE: X11643503.DWG IMAGE:	DRAWING NO. <b>X11643503</b>
-------------------	-------------------------------	---------------------------------



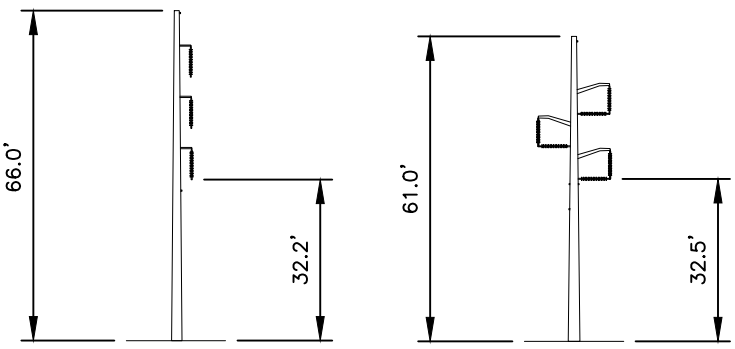
**PROFILE VIEW**

SCALE: HORZ 1" = 200'  
VERT 1" = 20'



**PLAN VIEW**

SCALE: 1" = 200'



STRUCTURE 119  
TYPE SA-2

STR 119: IS AN EVERSOURCE TYPE SA-2, SINGLE CIRCUIT ANGLE STEEL STRUCTURE, VERTICAL CONFIG., GUYED.

STRUCTURE 120  
TYPE ST-1

STR 120: IS AN EVERSOURCE TYPE ST-1, SINGLE CIRCUIT TANGENT STEEL STRUCTURE, DELTA CONFIG. W/ COND. STRUTS.

**STRUCTURE DETAILS**

SCALE: NTS

**LEGEND:**

- #119 STRUCTURE (WITH GUYS)
- STATE OF NEW HAMPSHIRE PROPERTY
- PROPERTY BOUNDARY
- X116 LINE 115KV LINE, C OF CONSTRUCTION
- LIMITS OF EVERSOURCE RIGHT OF WAY

STRUCTURE LOCATION		
STRUCTURE	LONGITUDE	LATITUDE
119	-71.41854169	42.79818930
120	-71.41885770	42.79758689

NESC VERTICAL CLEARANCE (FT) FROM TABLE 232.1	
NATURE OF SURFACE UNDERNEATH WIRES, CONDUCTORS OR CABLES	115kv
OTHER AREAS TRAVERSED BY VEHICLES, SUCH AS CULTIVATED, GRAZING, FOREST, AND ORCHARD LANDS, INDUSTRIAL SITES, COMMERCIAL SITES, ETC.	20.1

**NOTES:**

1. PARCEL INFORMATION PROVIDED BY NH GRANIT.
2. ELEVATIONS REFERENCED TO THE NORTH AMERICAN VERTICAL DATUM OF 1988.

CABLE SCHEDULE						
WIRE	QTY OF CABLES	DESCRIPTION	DESIGN CONDITIONS			
			MAX DESIGN TENSION (lb)	TEMP (°F)	ICE (in)	WIND (psf)
CONDUCTOR	3	ACSR, 1590 kcmil 45/7, LAPWING	11500	0	0.5	4
OPGW	1	72F Ø.646 AFL CC-101/59/646	5500	0	0.5	4

DWG REV	ISSUED TO PUC	EPN/DESCRIPTION	CONT/PE#	DATE	JAM DRN	GEL CHKD	BRK APPR
1				06/21			

T	1
DRAWN	JAM/TRC
ENGINEER	GEL/TRC
CHECKED	SEK/TRC
APPROVED	BRK/TRC
DATE	06/28/21

LINE X116, 115KV LINE  
STATE OWNED LAND CROSSING  
HUDSON, NEW HAMPSHIRE  
EXHIBIT 6

SCALE AS SHOWN	FILE: X11643503.DWG IMAGE:	DRAWING NO. <b>X11643503</b>
-------------------	-------------------------------	---------------------------------