



**LEGEND:**

E115 LINE:   
 E115 STR: 



LINE E115, 115kV LINE  
 STATE OWNED LAND AND PUBLIC WATER CROSSINGS, LOCATION PLAN  
 N. HAMPTON, BRISTOL, BRIDGEWATER & ASHLAND, N. H.  
 EXHIBIT 1

T	1
DRAWN	
SEK/TRC	
ENGINEER	
GEL/TRC	
CHECKED	
BRK/TRC	
APPROVED	
BRK/TRC	
DATE	
12/03/21	

1	ISSUED FOR REVIEW	12/21	SEK	BRK	BRK
DWG REV	EPN/DESCRIPTION	CONT/PE#	DATE	DRN	CHKD
				APPR	

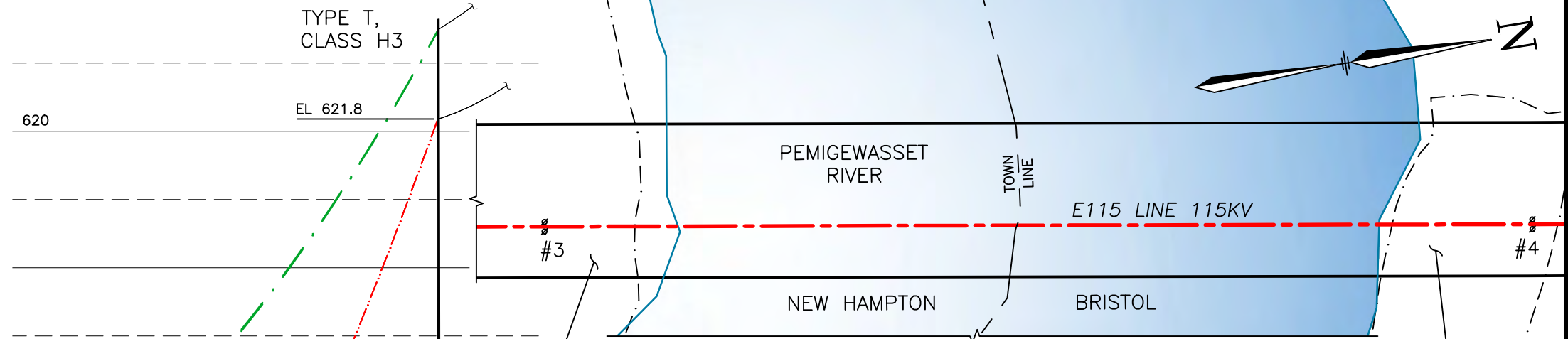
SCALE	FILE: E11543905.DWG
1" = 10,000'	IMAGE:

DRAWING NO.
E11543905

ES VER: 12/2016

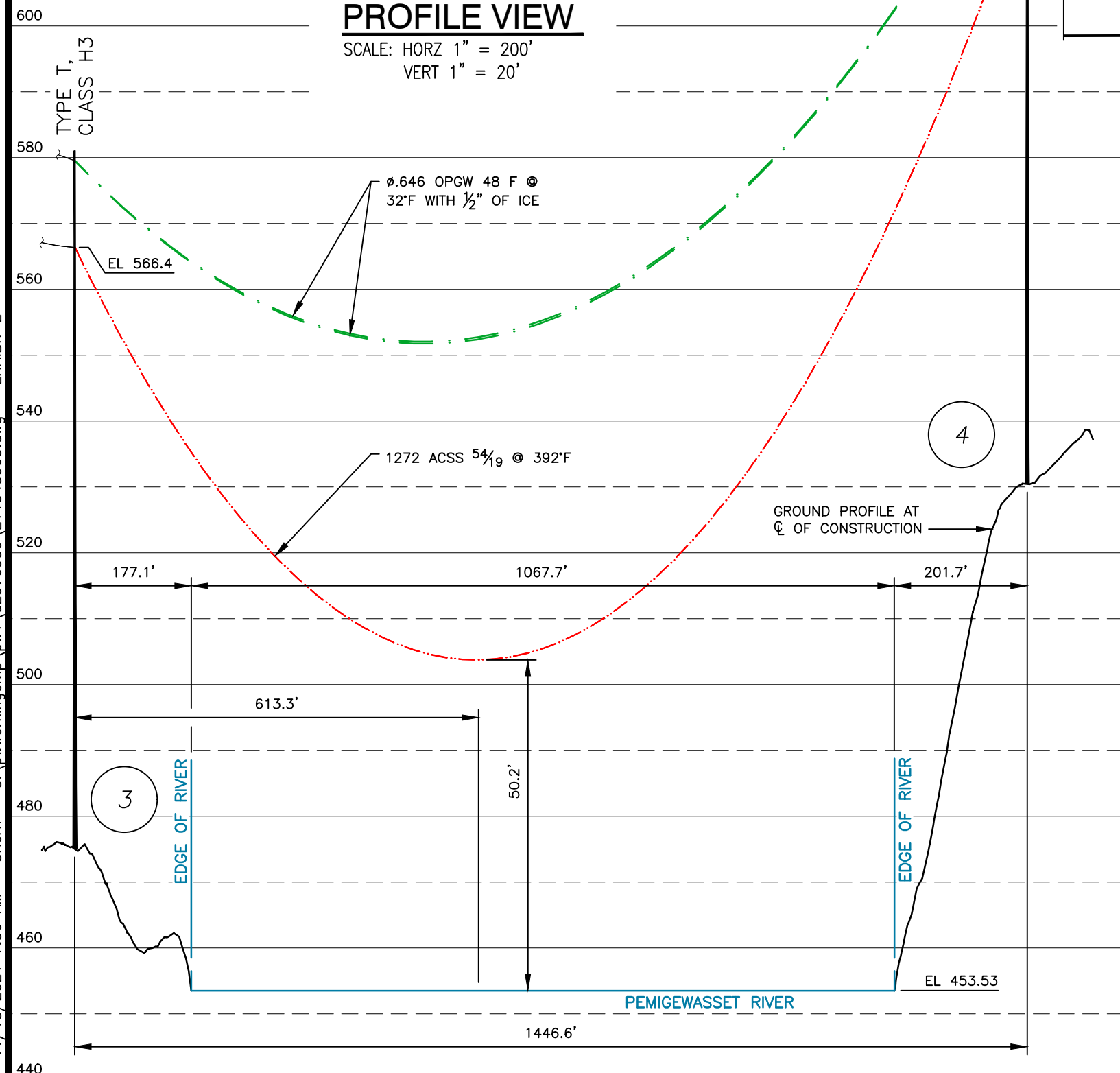
11/18/2021 7:56 AM - Skern - C:\pwworkingmp\pw1\d2576959\E11543905.dwg - EXHIBIT 2

CABLE SCHEDULE						
WIRE	QTY OF CABLES	DESCRIPTION	DESIGN CONDITIONS			
			MAX DESIGN TENSION (lb)	TEMP (°F)	ICE (in)	WIND (psf)
CONDUCTOR	3	ACSS, 1272 kcmil 54/19, PHEASANT	12000	0	0.5	4
OPGW	2	48F Ø0.646 AFL S3-81/69/646	8000	0	0.5	4



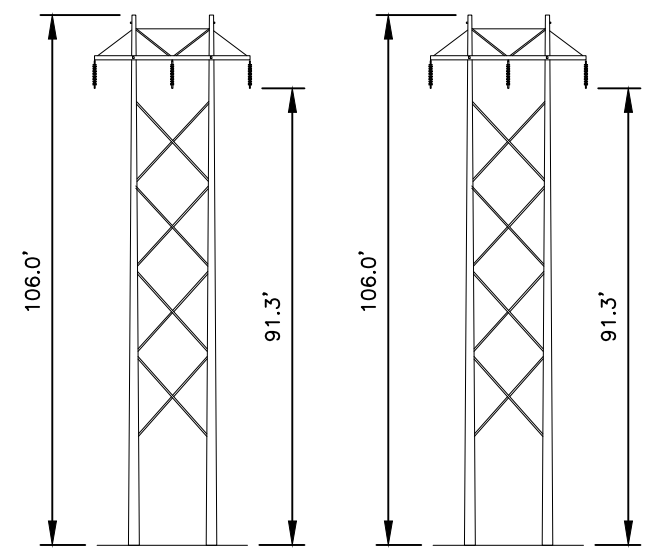
**PROFILE VIEW**

SCALE: HORZ 1" = 200'  
VERT 1" = 20'



**PLAN VIEW**

SCALE: 1" = 200'



**STRUCTURE 3**  
TYPE T  
STR 3: IS AN EVERSOURCE TYPE T, SINGLE CIRCUIT STEEL TANGENT STRUCTURE, HORIZONTAL CONFIG.

**STRUCTURE 4**  
TYPE T  
STR 4: IS AN EVERSOURCE TYPE T, SINGLE CIRCUIT STEEL TANGENT STRUCTURE, HORIZONTAL CONFIG.

**STRUCTURE DETAILS**

SCALE: NTS



**LEGEND:**

- #3 STRUCTURE
- WATERBODY
- PROPERTY BOUNDARY
- E115 LINE 115KV LINE, CL OF CONSTRUCTION
- LIMITS OF EVERSOURCE RIGHT OF WAY

STRUCTURE LOCATION		
STRUCTURE	LONGITUDE	LATITUDE
3	-71.70850018	43.59923287
4	-71.70764665	43.60315271

NESC VERTICAL CLEARANCE (FT) FROM TABLE 232.1	
NATURE OF SURFACE UNDERNEATH WIRES, CONDUCTORS OR CABLES	115kV
WATER AREAS SUITABLE FOR SAIL BOATING INCLUDING LAKES, PONDS, RESERVOIRS, TIDAL WATERS, RIVERS, STREAMS, AND CANALS WITH AN UNOBSTRUCTED SURFACE AREA OF OVER 20 TO 200 ACRES	30.1

**NOTES:**

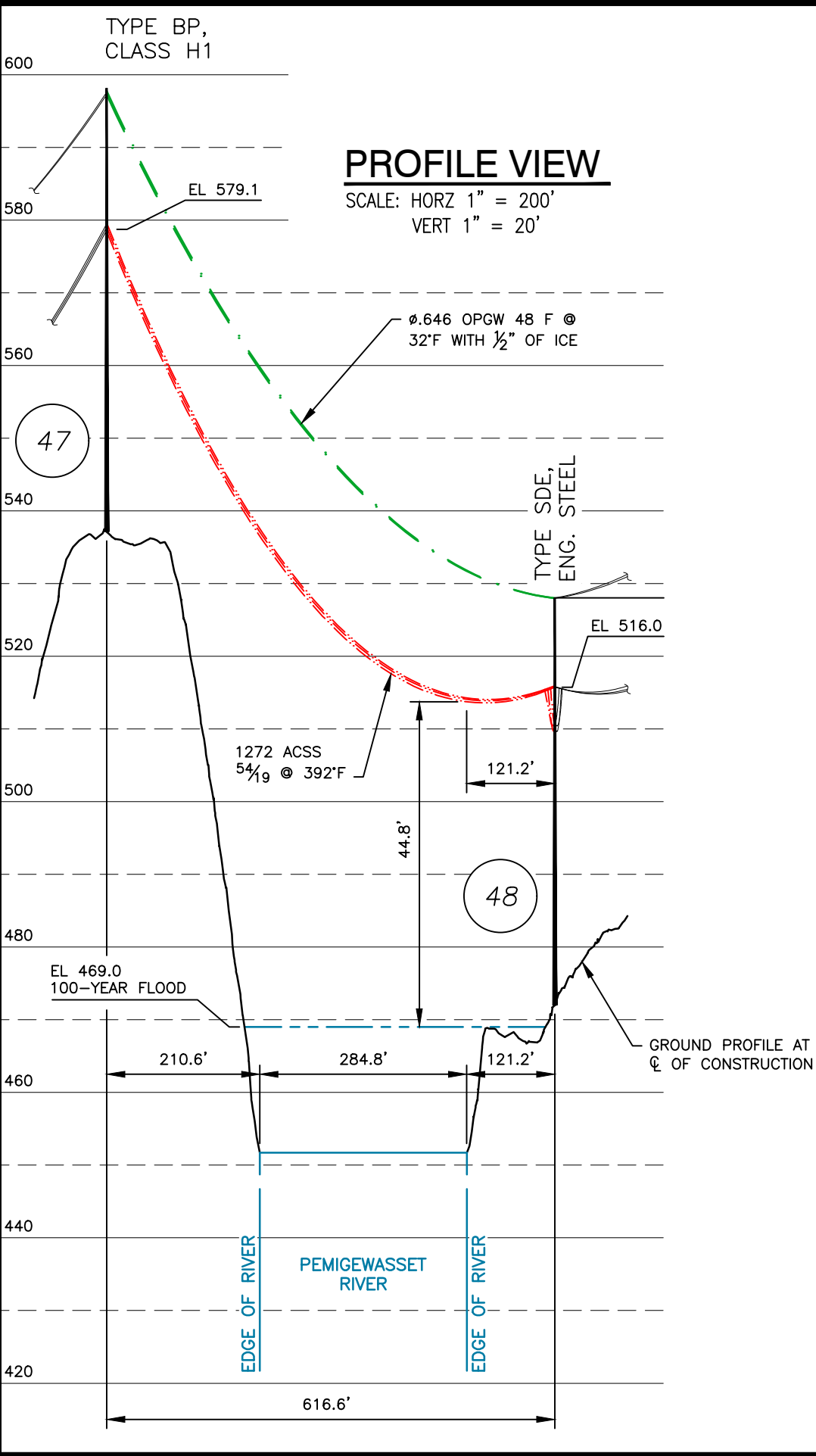
- PARCEL INFORMATION PROVIDED BY NH GRANIT.
- ELEVATIONS REFERENCED TO THE NORTH AMERICAN VERTICAL DATUM OF 1988.
- REFERENCE WATER ELEVATION FOR THE PEMIGEWASSET RIVER AT THE WIRE CROSSING LOCATION IS BASED ON THE DESIGN HIGH WATER ELEVATION OF THE AYERS ISLAND DAM AND WATER LEVEL OF THE CONTROLLED IMPOUNDMENTS AT THE CROSSING LOCATION.

LINE E115, 115kV LINE  
PEMIGEWASSET RIVER, PUBLIC WATER CROSSING  
NEW HAMPTON & BRISTOL, NEW HAMPSHIRE  
EXHIBIT 2

T	1
DRAWN	SEK/TRC
ENGINEER	GEL/TRC
CHECKED	BRK/TRC
APPROVED	BRK/TRC
DATE	12/03/21

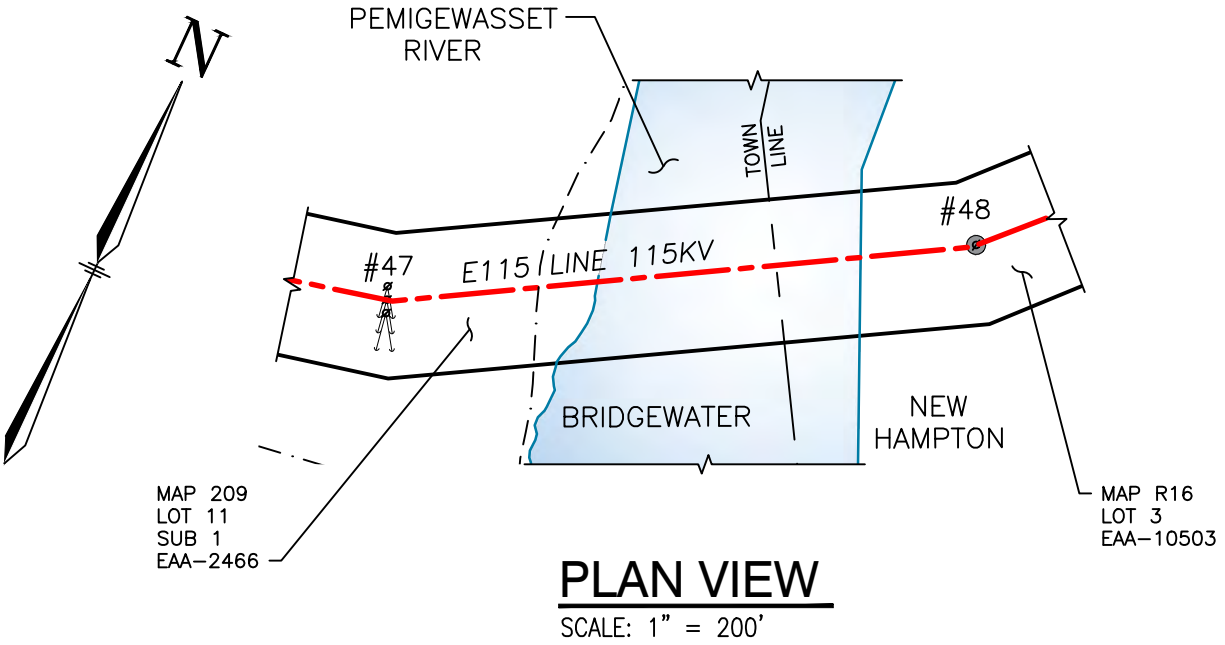
DWG REV	ISSUED FOR REVIEW	EPN/DESCRIPTION	CONT/PE#	DATE	SEK	BRK	BRK
1				12/21	SEK	BRK	BRK

12/14/2021 9:33 AM - Skern - C:\pwworkingmp\pw1\d2576959\E11543906.dwg - EXHIBIT 3



**PROFILE VIEW**

SCALE: HORZ 1" = 200'  
VERT 1" = 20'



**PLAN VIEW**

SCALE: 1" = 200'

**LEGEND:**

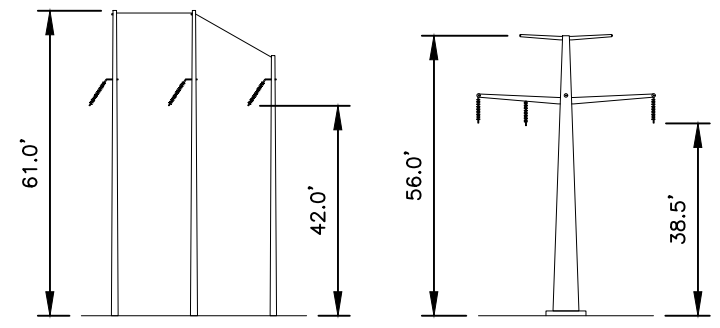
- #47 STRUCTURE (WITH GUYS)
- WATERBODY
- PROPERTY BOUNDARY
- E115 LINE 115KV LINE, C OF CONSTRUCTION
- LIMITS OF EVERSOURCE RIGHT OF WAY

**NOTES:**

1. PROPERTY BOUNDARY ON WEST BANK OF PEMIGEWASSET RIVER WAS ADJUSTED FROM NH GRANIT PARCEL DATA.
2. ELEVATIONS REFERENCED TO THE NORTH AMERICAN VERTICAL DATUM OF 1988.
3. 100 YEAR FLOOD ELEVATION FROM THE FEMA FLOOD MAP SERVICE CENTER, NATIONAL FLOOD HAZARD LAYER FIRMETTE, 02/20/2008.

STRUCTURE LOCATION		
STRUCTURE	LONGITUDE	LATITUDE
47	-71.65469969	43.63945129
48	-71.65268902	43.64030267

NESC VERTICAL CLEARANCE (FT) FROM TABLE 232.1	
NATURE OF SURFACE UNDERNEATH WIRES, CONDUCTORS OR CABLES	115kv
WATER AREAS SUITABLE FOR SAIL BOATING INCLUDING LAKES, PONDS, RESERVOIRS, TIDAL WATERS, RIVERS, STREAMS, AND CANALS WITH AN UNOBSTRUCTED SURFACE AREA OF OVER 20 TO 200 ACRES	30.1



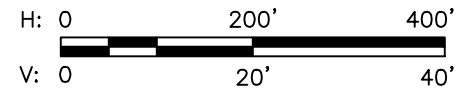
**STRUCTURE 47**  
TYPE BP  
STR 47: IS AN EVERSOURCE TYPE BP, SINGLE CIRCUIT STEEL ANGLE STRUCTURE, HORIZONTAL CONFIG., GUYED

**STRUCTURE 48**  
TYPE SDE  
STR 48: IS AN EVERSOURCE TYPE SDE, SINGLE CIRCUIT STEEL DEADEND STRUCTURE, HORIZONTAL CONFIG.

**STRUCTURE DETAILS**

SCALE: NTS

CABLE SCHEDULE						
WIRE	QTY OF CABLES	DESCRIPTION	DESIGN CONDITIONS			
			MAX DESIGN TENSION (lb)	TEMP (°F)	ICE (in)	WIND (psf)
CONDUCTOR	3	ACSS, 1272 kcmil 54/19, PHEASANT	10000	0	0.5	4
OPGW	2	48F 0.646 AFL S3-81/69/646	5000	0	0.5	4



EVERSOURCE ENERGY

LINE E115, 115KV LINE  
PEMIGEWASSET RIVER, PUBLIC WATER CROSSING  
BRIDGEWATER & NEW HAMPTON, NEW HAMPSHIRE  
EXHIBIT 3

DRAWN SEK/TRC	T 1
ENGINEER GEL/TRC	
CHECKED BRK/TRC	
APPROVED BRK/TRC	
DATE 12/15/21	

SCALE: AS SHOWN      FILE: E11543906.DWG      DRAWING NO. E11543906

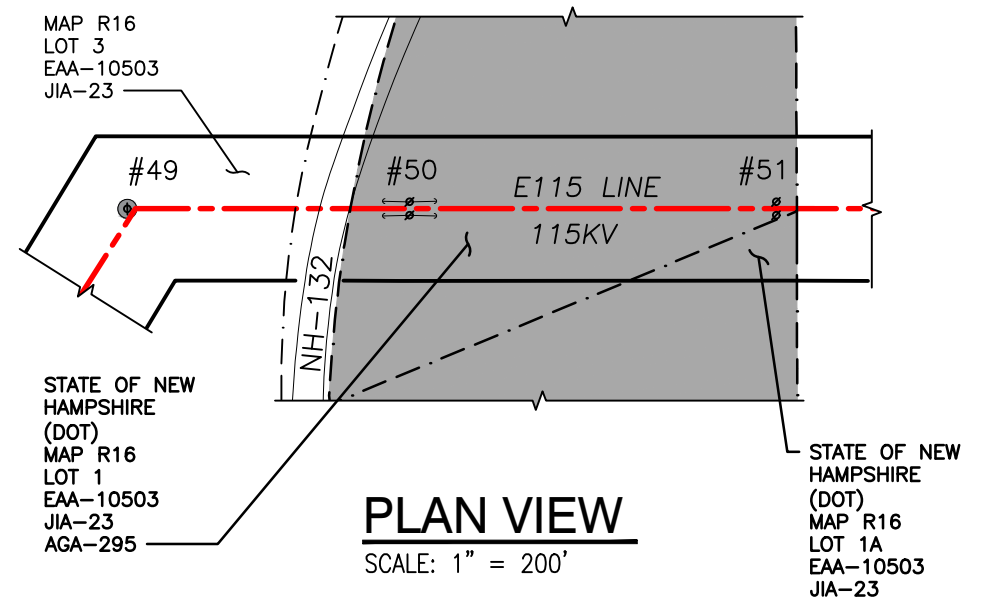
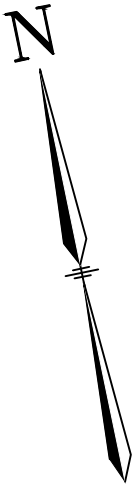
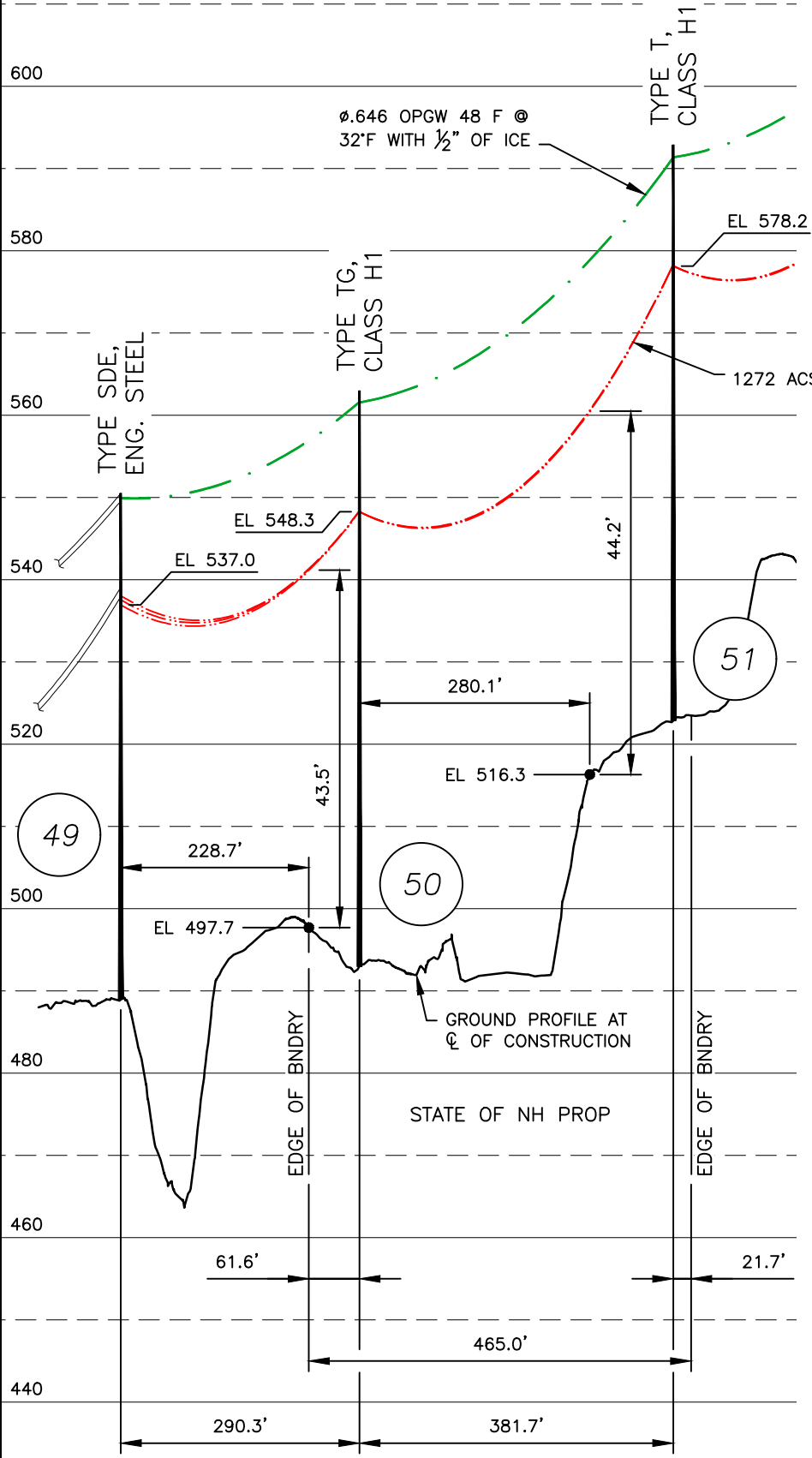
DWG REV	ISSUED FOR REVIEW	EPN/DESCRIPTION	CONT/PE#	DATE	SEK	BRK	BRK
1	ISSUED FOR REVIEW			12/21	SEK	BRK	BRK

ES VER: 12/2016

12/14/2021 9:38 AM - Skern - C:\pwworkingmp\pw1\d2576959\E11543503.dwg - EXHIBIT 4

# PROFILE VIEW

SCALE: HORZ 1" = 200'  
VERT 1" = 20'

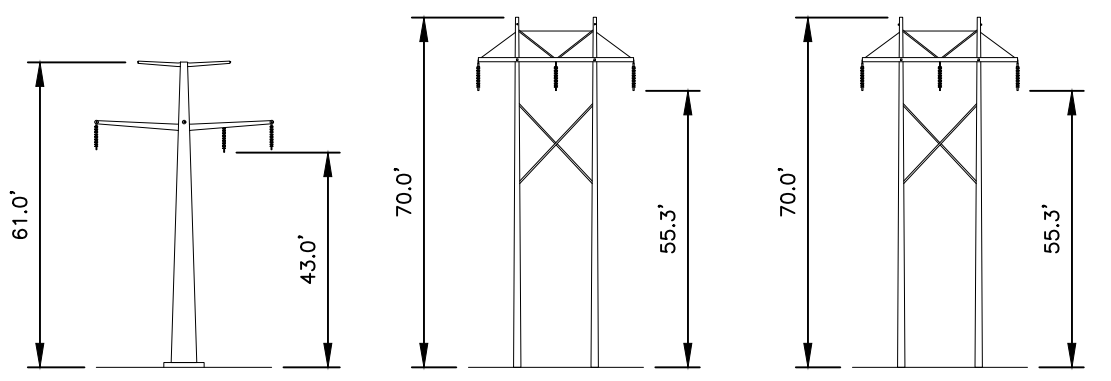


### LEGEND:

- #50 STRUCTURE (WITH GUYS)
- STATE OF NEW HAMPSHIRE PROPERTY
- PROPERTY BOUNDARY
- E115 LINE 115KV
- LINE,  $\phi$  OF CONSTRUCTION
- LIMITS OF EVERSOURCE RIGHT OF WAY

### NOTES:

1. PARCEL INFORMATION PROVIDED BY NH GRANIT.
2. ELEVATIONS REFERENCED TO THE NORTH AMERICAN VERTICAL DATUM OF 1988.



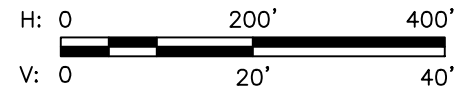
**STRUCTURE 49**  
TYPE SDE  
STR 49: IS AN EVERSOURCE TYPE SDE, SINGLE CIRCUIT STEEL DEADEND STRUCTURE, HORIZONTAL CONFIG.

**STRUCTURE 50**  
TYPE TG  
STR 50: IS AN EVERSOURCE TYPE TG, SINGLE CIRCUIT STEEL TANGENT STRUCTURE, HORIZONTAL CONFIG. W/SHIELD WIRES GUYED

**STRUCTURE 51**  
TYPE T  
STR 51: IS AN EVERSOURCE TYPE T, SINGLE CIRCUIT STEEL TANGENT STRUCTURE, HORIZONTAL CONFIG.

## STRUCTURE DETAILS

SCALE: NTS



STRUCTURE LOCATION		
STRUCTURE	LONGITUDE	LATITUDE
49	-71.65185052	43.64096106
50	-71.65076282	43.64079955
51	-71.64935067	43.64058810

NESC VERTICAL CLEARANCE (FT) FROM TABLE 232.1	
NATURE OF SURFACE UNDERNEATH WIRES, CONDUCTORS OR CABLES	115kv
OTHER AREAS TRAVERSED BY VEHICLES, SUCH AS CULTIVATED, GRAZING, FOREST, AND ORCHARD LANDS, INDUSTRIAL SITES, COMMERCIAL SITES, ETC.	20.1

CABLE SCHEDULE						
WIRE	QTY OF CABLES	DESCRIPTION	DESIGN CONDITIONS			
			MAX DESIGN TENSION (lb)	TEMP (°F)	ICE (in)	WIND (psf)
CONDUCTOR	3	ACSS, 1272 kcmil 54/19, PHEASANT	10000	0	0.5	4
OPGW	2	48F $\phi.646$ AFL S3-81/69/646	5000	0	0.5	4

**EVERSOURCE ENERGY**

LINE E115, 115KV LINE  
STATE OWNED LAND CROSSING  
NEW HAMPTON, NEW HAMPSHIRE  
EXHIBIT 4

<p>T 1</p> <p>DRAWN SEK/TRC</p> <p>ENGINEER GEL/TRC</p> <p>CHECKED BRK/TRC</p> <p>APPROVED BRK/TRC</p> <p>DATE 12/15/21</p>	<p>SCALE AS SHOWN</p> <p>FILE: E11543503.DWG</p> <p>DRAWING NO. <b>E11543503</b></p>
---	--

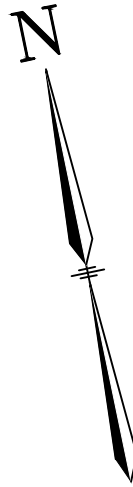
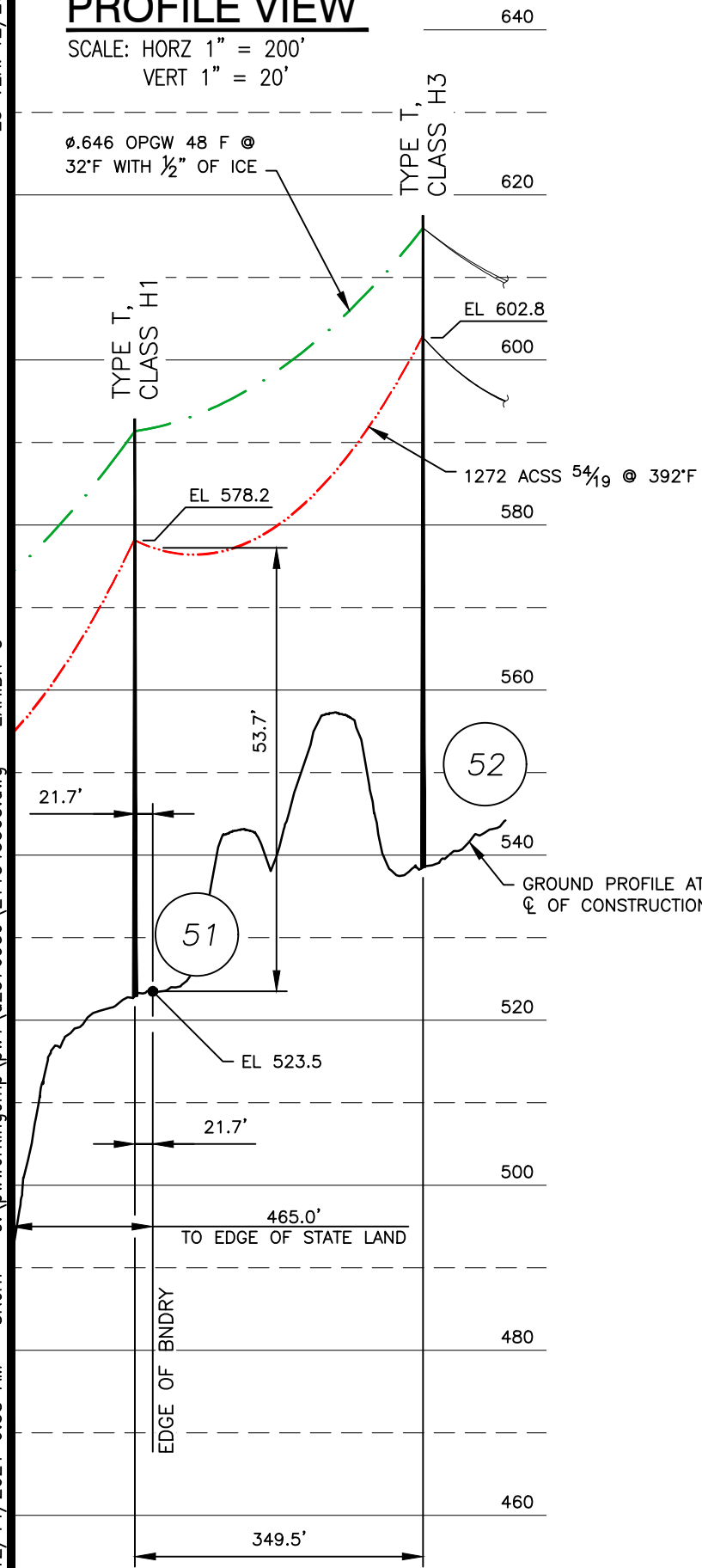
1	ISSUED FOR REVIEW	12/21	SEK	BRK	BRK	
DWG REV	EPN/DESCRIPTION	CONT/PE#	DATE	DRN	CHKD	APPR

ES VER: 12/2016

12/14/2021 9:38 AM - Skern - C:\pwworkingmp\pw1\d2576959\E11543503.dwg - EXHIBIT 5

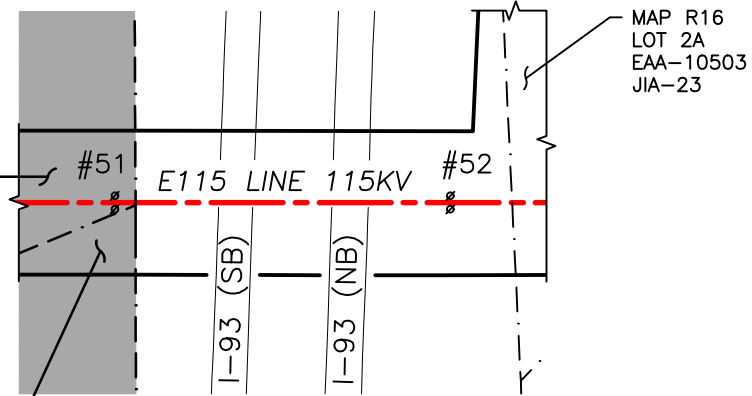
# PROFILE VIEW

SCALE: HORZ 1" = 200'  
VERT 1" = 20'



STATE OF NEW HAMPSHIRE (DOT)  
MAP R16  
LOT 1  
EAA-10503  
JIA-23  
AGA-295

STATE OF NEW HAMPSHIRE (DOT)  
MAP R16  
LOT 1A  
EAA-10503  
JIA-23



# PLAN VIEW

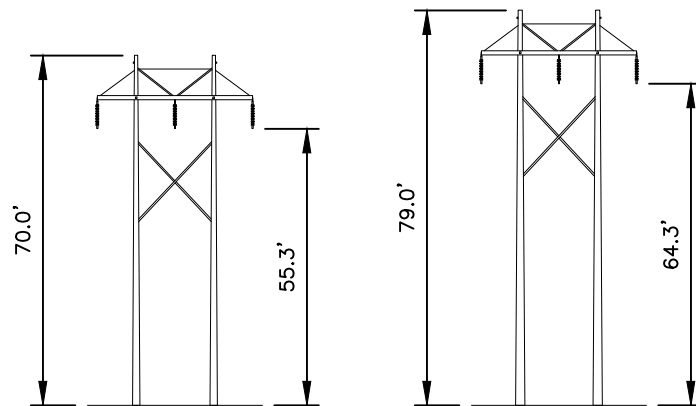
SCALE: 1" = 200'

## LEGEND:

- #51 STRUCTURE
- STATE OF NEW HAMPSHIRE PROPERTY
- PROPERTY BOUNDARY
- E115 LINE 115KV LINE, CL OF CONSTRUCTION
- LIMITS OF EVERSOURCE RIGHT OF WAY

## NOTES:

1. PARCEL INFORMATION PROVIDED BY NH GRANIT.
2. ELEVATIONS REFERENCED TO THE NORTH AMERICAN VERTICAL DATUM OF 1988.



STRUCTURE 51  
TYPE T

STR 51: IS AN EVERSOURCE TYPE T, SINGLE CIRCUIT STEEL TANGENT STRUCTURE, HORIZONTAL CONFIG.

STRUCTURE 52  
TYPE T

STR 52: IS AN EVERSOURCE TYPE T, SINGLE CIRCUIT STEEL TANGENT STRUCTURE, HORIZONTAL CONFIG.

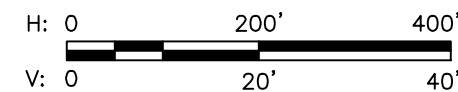
# STRUCTURE DETAILS

SCALE: NTS

STRUCTURE LOCATION		
STRUCTURE	LONGITUDE	LATITUDE
51	-71.64935067	43.64058810
52	-71.64805768	43.64039447

NESC VERTICAL CLEARANCE (FT) FROM TABLE 232.1	
NATURE OF SURFACE UNDERNEATH WIRES, CONDUCTORS OR CABLES	115kv
OTHER AREAS TRAVERSED BY VEHICLES, SUCH AS CULTIVATED, GRAZING, FOREST, AND ORCHARD LANDS, INDUSTRIAL SITES, COMMERCIAL SITES, ETC.	20.1

CABLE SCHEDULE						
WIRE	QTY OF CABLES	DESCRIPTION	DESIGN CONDITIONS			
			MAX DESIGN TENSION (lb)	TEMP (°F)	ICE (in)	WIND (psf)
CONDUCTOR	3	ACSS, 1272 kcmil 54/19, PHEASANT	10000	0	0.5	4
OPGW	2	48F Ø0.646 AFL S3-81/69/646	5000	0	0.5	4



LINE E115, 115KV LINE  
STATE OWNED LAND CROSSING  
NEW HAMPTON, NEW HAMPSHIRE  
EXHIBIT 5

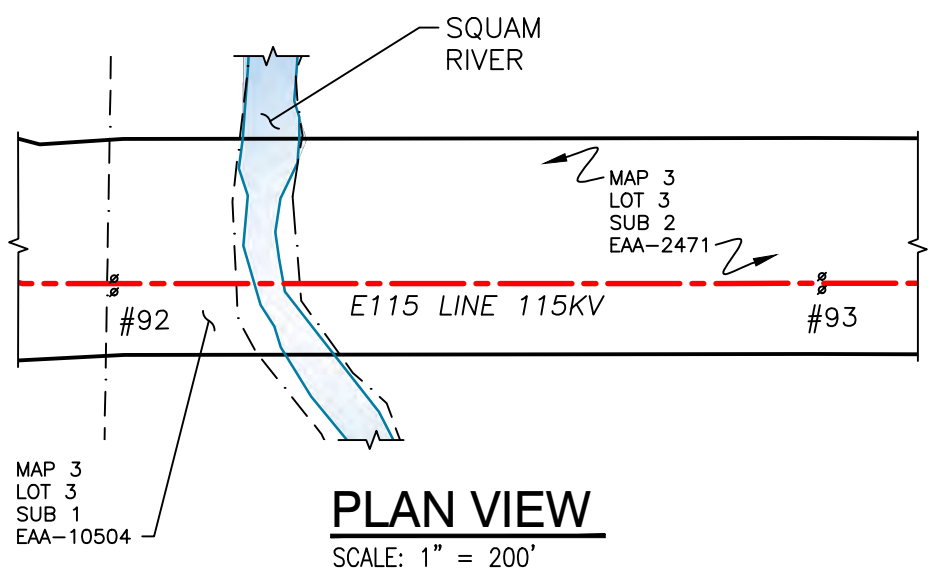
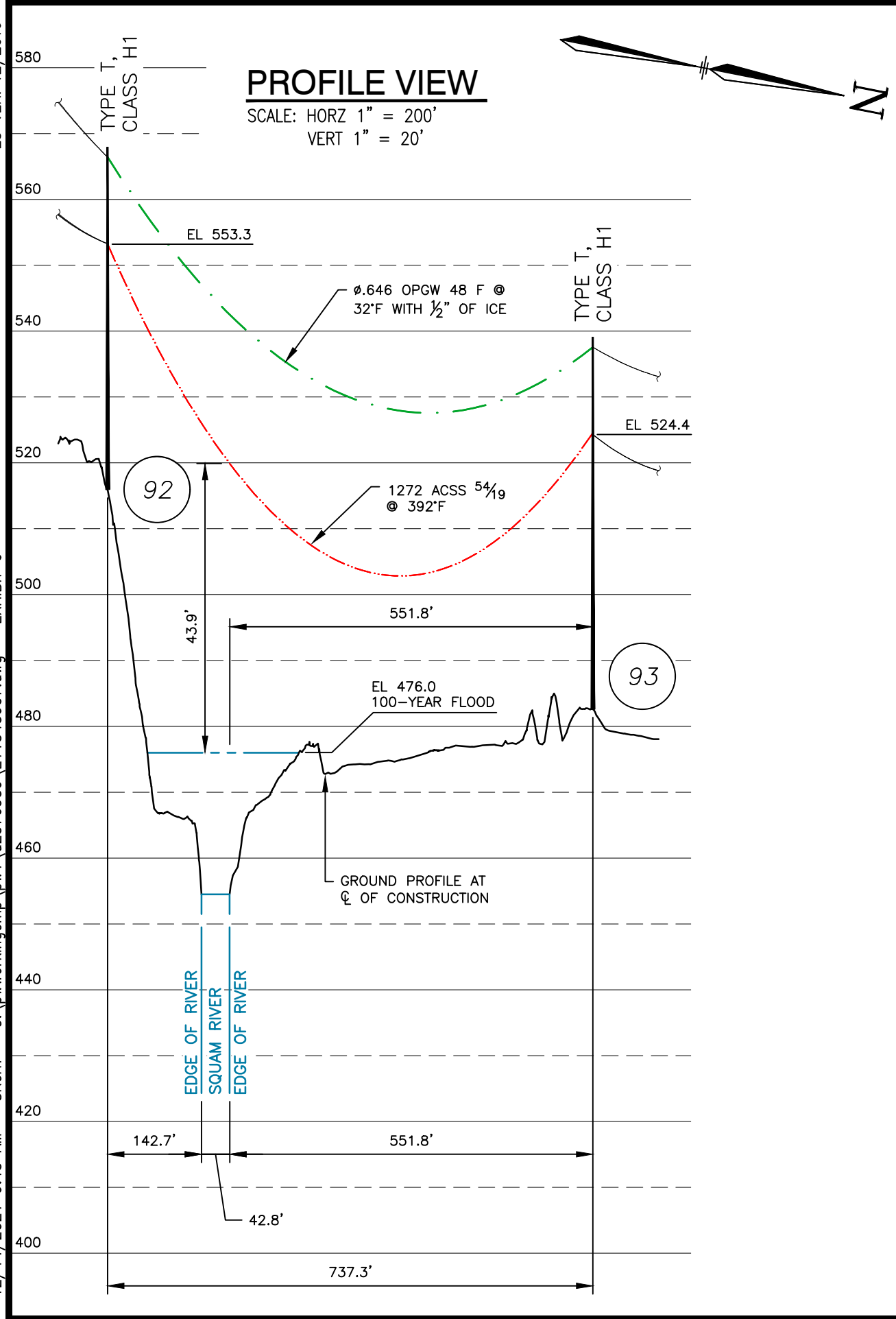
T	1
DRAWN	SEK/TRC
ENGINEER	GEL/TRC
CHECKED	BRK/TRC
APPROVED	BRK/TRC
DATE	12/15/21

1	ISSUED FOR REVIEW	12/21	SEK	BRK	BRK	
DWG REV	EPN/DESCRIPTION	CONT/PE#	DATE	DRN	CHKD	APPR

SCALE	FILE: E11543503.DWG	DRAWING NO.
AS SHOWN	IMAGE:	E11543503

ES VER: 12/2016

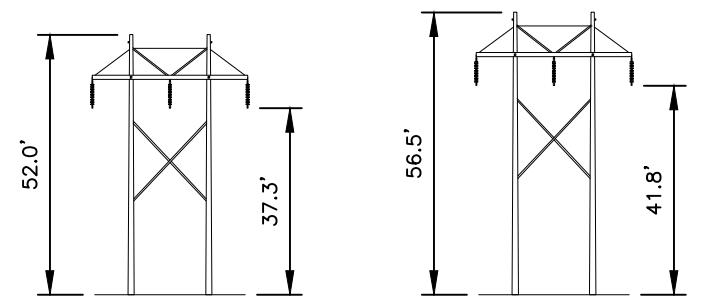
12/14/2021 9:45 AM - Skern - C:\pwworkingmp\pw1\d2576959\E11543907.dwg - EXHIBIT 6



**LEGEND:**

- Ø #92 STRUCTURE
- Waterbody symbol WATERBODY
- PROPERTY BOUNDARY
- E115 LINE 115KV LINE, CL OF CONSTRUCTION
- LIMITS OF EVERSOURCE RIGHT OF WAY

- NOTES:**
1. PARCEL INFORMATION PROVIDED BY NH GRANIT.
  2. ELEVATIONS REFERENCED TO THE NORTH AMERICAN VERTICAL DATUM OF 1988.
  3. 100 YEAR FLOOD ELEVATION FROM THE FEMA FLOOD MAP SERVICE CENTER, NATIONAL FLOOD HAZARD LAYER FIRMETTE, 02/20/2008.



**STRUCTURE 92**  
TYPE T  
STR 92: IS AN EVERSOURCE TYPE T, SINGLE CIRCUIT STEEL TANGENT STRUCTURE, HORIZONTAL CONFIG.

**STRUCTURE 93**  
TYPE T  
STR 93: IS AN EVERSOURCE TYPE T, SINGLE CIRCUIT STEEL TANGENT STRUCTURE, HORIZONTAL CONFIG.

**STRUCTURE DETAILS**  
SCALE: NTS



STRUCTURE LOCATION		
STRUCTURE	LONGITUDE	LATITUDE
92	-71.64468420	43.68517649
93	-71.64523224	43.68715979

NESC VERTICAL CLEARANCE (FT) FROM TABLE 232.1	
NATURE OF SURFACE UNDERNEATH WIRES, CONDUCTORS OR CABLES	115kV
WATER AREAS NOT SUITABLE FOR SAIL BOATING OR WHERE SAIL BOATING IS PROHIBITED	18.6

CABLE SCHEDULE						
WIRE	QTY OF CABLES	DESCRIPTION	DESIGN CONDITIONS			
			MAX DESIGN TENSION (lb)	TEMP (°F)	ICE (in)	WIND (psf)
CONDUCTOR	3	ACSS, 1272 kcmil 54/19, PHEASANT	10000	0	0.5	4
OPGW	2	48F Ø0.646 AFL S3-81/69/646	5000	0	0.5	4

**EVERSOURCE ENERGY**

LINE E115, 115kV LINE  
SQUAM RIVER, PUBLIC WATER CROSSING  
ASHLAND, NEW HAMPSHIRE  
EXHIBIT 6

T	1
DRAWN	SEK/TRC
ENGINEER	GEL/TRC
CHECKED	BRK/TRC
APPROVED	BRK/TRC
DATE	12/15/21

SCALE: AS SHOWN FILE: E11543907.DWG DRAWING NO: E11543907

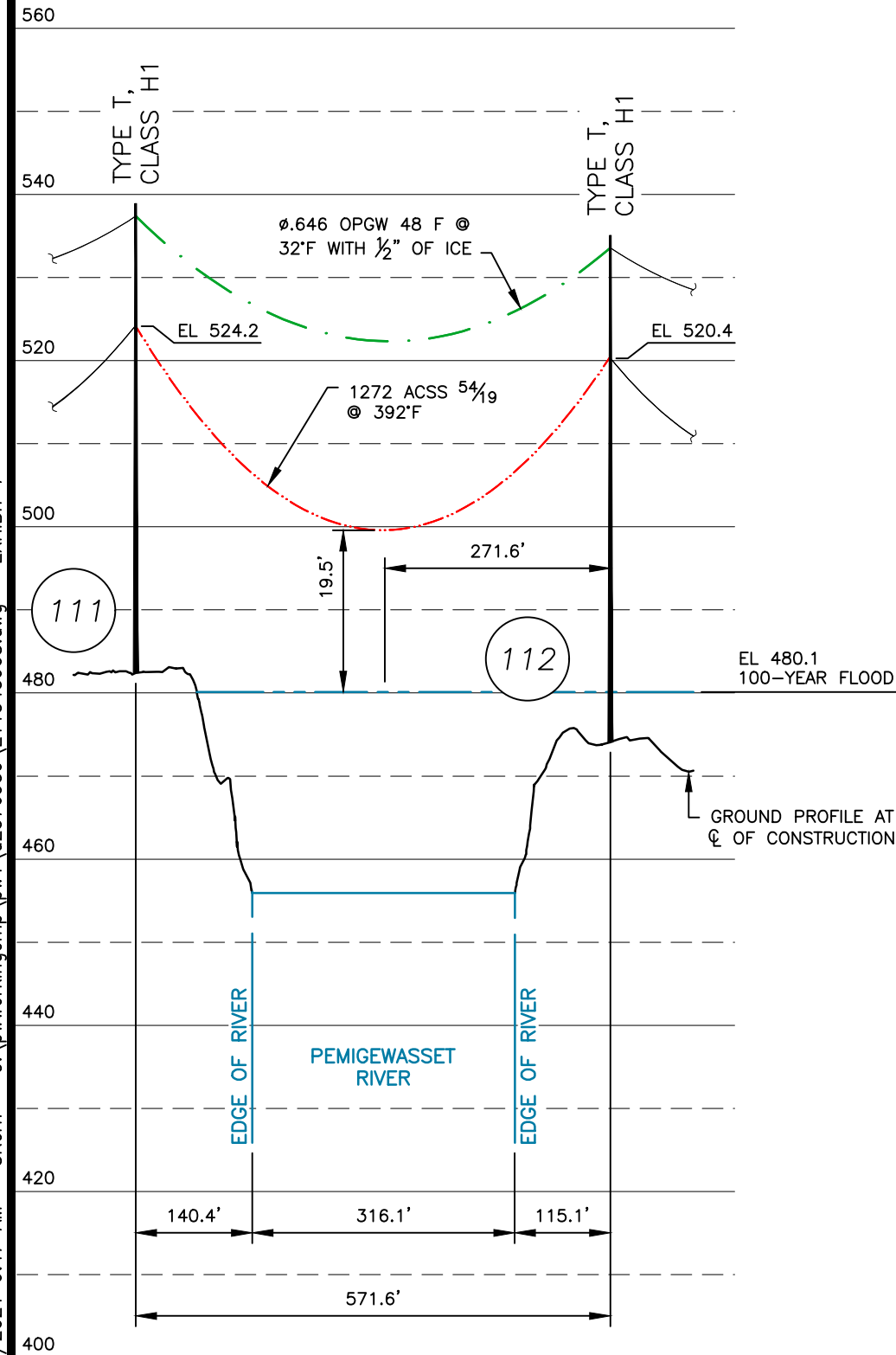
DWG REV	ISSUED FOR REVIEW	EPN/DESCRIPTION	CONT/PE#	DATE	SEK	BRK	BRK
1				12/21	SEK	BRK	BRK

ES VER: 12/2016

12/14/2021 9:47 AM - Skern - C:\pwworkingmp\pw1\d2576959\E11543908.dwg - EXHIBIT 7

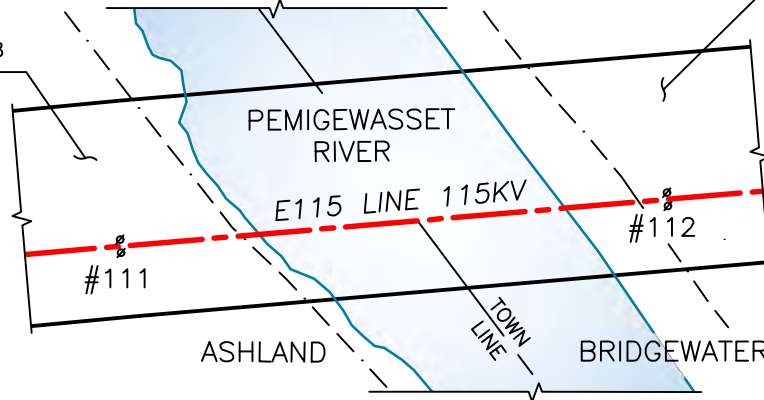
# PROFILE VIEW

SCALE: HORIZ 1" = 200'  
VERT 1" = 20'



MAP 4  
LOT 1  
SUB 1  
EAA-10508  
JIA-26

MAP 202  
LOT 12  
EAA-10506  
JIA-25



# PLAN VIEW

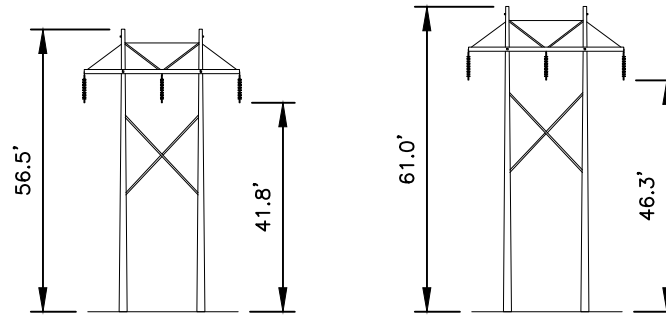
SCALE: 1" = 200'

### LEGEND:

- #111 STRUCTURE
- WATERBODY
- PROPERTY BOUNDARY
- E115 LINE 115KV
- LINE, C OF CONSTRUCTION
- LIMITS OF EVERSOURCE RIGHT OF WAY

### NOTES:

1. PARCEL INFORMATION PROVIDED BY NH GRANIT.
2. ELEVATIONS REFERENCED TO THE NORTH AMERICAN VERTICAL DATUM OF 1988.
3. 100 YEAR FLOOD ELEVATION FROM THE FEMA FLOOD MAP SERVICE CENTER, NATIONAL FLOOD HAZARD LAYER FIRMETTE, 02/20/2008.



STRUCTURE 111  
TYPE T

STR 111: IS AN EVERSOURCE TYPE T, SINGLE CIRCUIT STEEL TANGENT STRUCTURE, HORIZONTAL CONFIG.

STRUCTURE 112  
TYPE T

STR 112: IS AN EVERSOURCE TYPE T, SINGLE CIRCUIT STEEL TANGENT STRUCTURE, HORIZONTAL CONFIG.

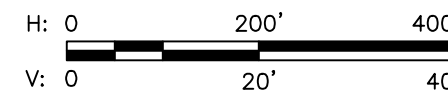
# STRUCTURE DETAILS

SCALE: NTS

STRUCTURE LOCATION		
STRUCTURE	LONGITUDE	LATITUDE
111	-71.65441476	43.70581346
112	-71.65573927	43.70705272

NESC VERTICAL CLEARANCE (FT) FROM TABLE 232.1	
NATURE OF SURFACE UNDERNEATH WIRES, CONDUCTORS OR CABLES	115kV
WATER AREAS NOT SUITABLE FOR SAIL BOATING OR WHERE SAIL BOATING IS PROHIBITED	18.6

CABLE SCHEDULE						
WIRE	QTY OF CABLES	DESCRIPTION	DESIGN CONDITIONS			
			MAX DESIGN TENSION (lb)	TEMP (°F)	ICE (in)	WIND (psf)
CONDUCTOR	3	ACSS, 1272 kcmil 54/19, PHEASANT	10000	0	0.5	4
OPGW	2	48F 0.646 AFL S3-81/69/646	5000	0	0.5	4



## EVERSOURCE ENERGY

LINE E115, 115kV LINE  
PEMIGEWASSET RIVER, PUBLIC WATER CROSSING  
ASHLAND & BRIDGEWATER, NEW HAMPSHIRE  
EXHIBIT 7

DRAWN SEK/TRC	T 1
ENGINEER GEL/TRC	
CHECKED BRK/TRC	
APPROVED BRK/TRC	
DATE 12/15/21	

SCALE AS SHOWN	FILE: E11543908.DWG	DRAWING NO. E11543908
-------------------	---------------------	--------------------------

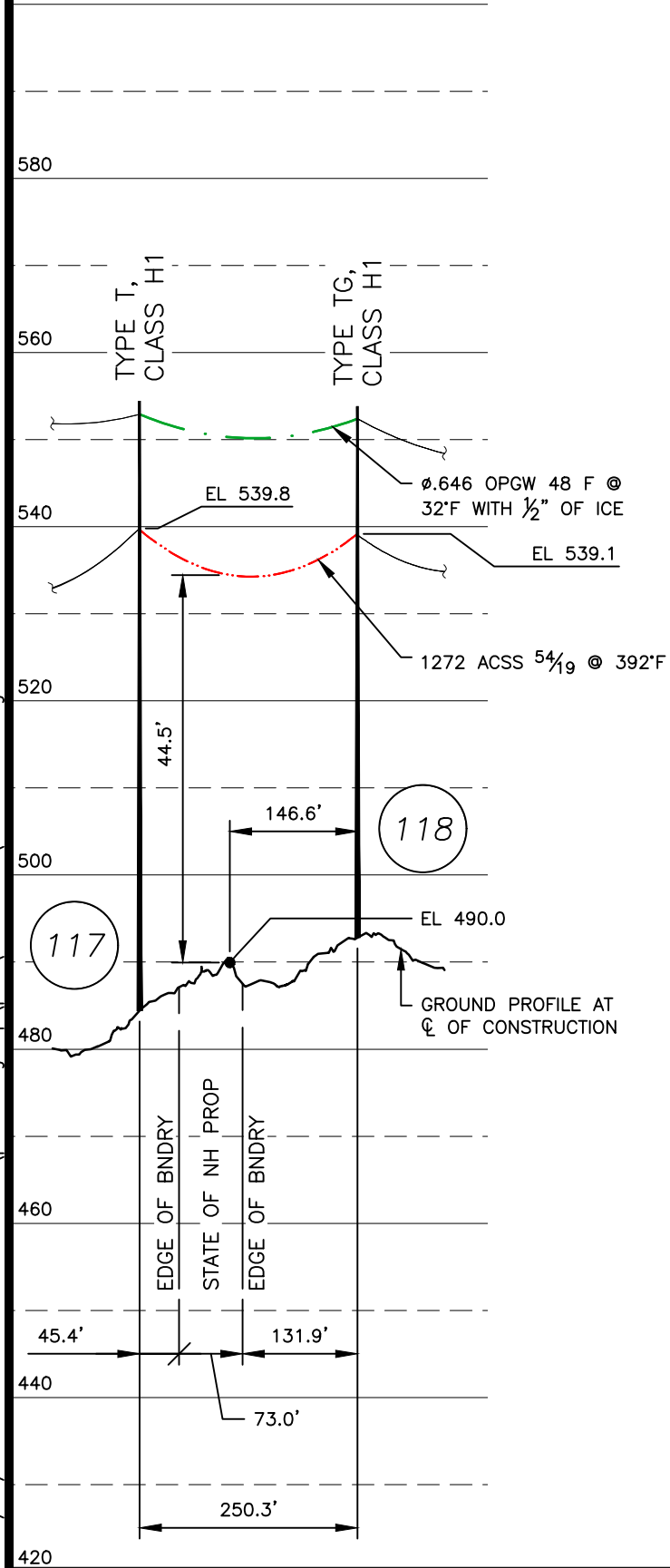
DWG REV	ISSUED FOR REVIEW	EPN/DESCRIPTION	CONT/PE#	DATE	SEK	BRK	BRK
1	ISSUED FOR REVIEW			12/21	SEK	BRK	BRK

ES VER: 12/2016

12/14/2021 9:59 AM - Skern - C:\pwworkingmp\pw1\d2576959\E11543501.dwg - EXHIBIT 8

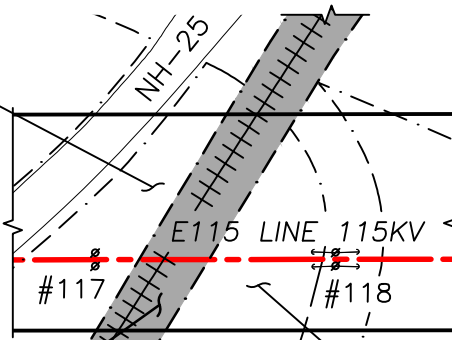
# PROFILE VIEW

SCALE: HORZ 1" = 200'  
VERT 1" = 20'



MAP 201  
LOT 19  
EAA-10506  
JIA-25

STATE OF NEW HAMPSHIRE (DOT)  
MAP 201  
LOT 15  
FDA-272



# PLAN VIEW

SCALE: 1" = 200'

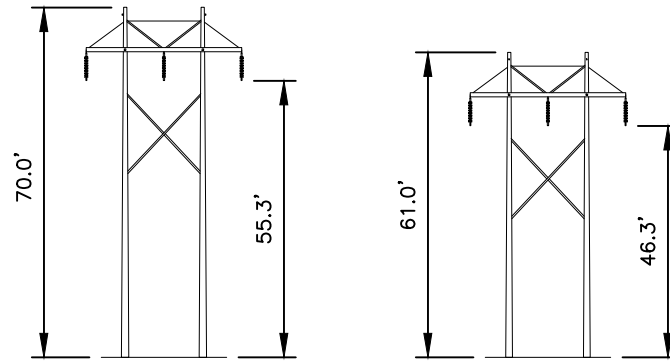
MAP 201  
LOT 18  
EAA-10506  
JIA-25

### LEGEND:

- #118 STRUCTURE (WITH GUYS)
- STATE OF NEW HAMPSHIRE PROPERTY
- PROPERTY BOUNDARY
- RAILROAD
- E115 LINE 115KV  
LINE, C OF CONSTRUCTION
- LIMITS OF EVERSOURCE RIGHT OF WAY

### NOTES:

1. PARCEL INFORMATION PROVIDED BY NH GRANIT.
2. ELEVATIONS REFERENCED TO THE NORTH AMERICAN VERTICAL DATUM OF 1988.



STRUCTURE 117  
TYPE T

STR 117: IS AN EVERSOURCE TYPE T, SINGLE CIRCUIT STEEL TANGENT STRUCTURE, HORIZONTAL CONFIG.

STRUCTURE 118  
TYPE TG

STR 118: IS AN EVERSOURCE TYPE TG, SINGLE CIRCUIT STEEL TANGENT STRUCTURE, HORIZONTAL CONFIG., W/ SHIELD WIRES GUYED

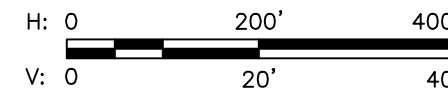
# STRUCTURE DETAILS

SCALE: NTS

STRUCTURE LOCATION		
STRUCTURE	LONGITUDE	LATITUDE
117	-71.65727483	43.71177328
118	-71.65677888	43.71235824

NESC VERTICAL CLEARANCE (FT) FROM TABLE 232.1	
NATURE OF SURFACE UNDERNEATH WIRES, CONDUCTORS OR CABLES	115kV
TRACK RAILS OF RAILROADS	28.1

CABLE SCHEDULE						
WIRE	QTY OF CABLES	DESCRIPTION	DESIGN CONDITIONS			
			MAX DESIGN TENSION (lb)	TEMP (°F)	ICE (in)	WIND (psf)
CONDUCTOR	3	ACSS, 1272 kcmil 54/19, PHEASANT	10000	0	0.5	4
OPGW	2	48F ø0.646 AFL S3-81/69/646	5000	0	0.5	4



**EVERSOURCE ENERGY**

LINE E115, 115kV LINE  
STATE OWNED LAND CROSSING  
BRIDGEWATER, NEW HAMPSHIRE  
EXHIBIT 8

T	1
DRAWN	SEK/TRC
ENGINEER	GEL/TRC
CHECKED	BRK/TRC
APPROVED	BRK/TRC
DATE	12/15/21

1	ISSUED FOR REVIEW	12/21	SEK	BRK	BRK	
DWG REV	EPN/DESCRIPTION	CONT/PE#	DATE	DRN	CHKD	APPR

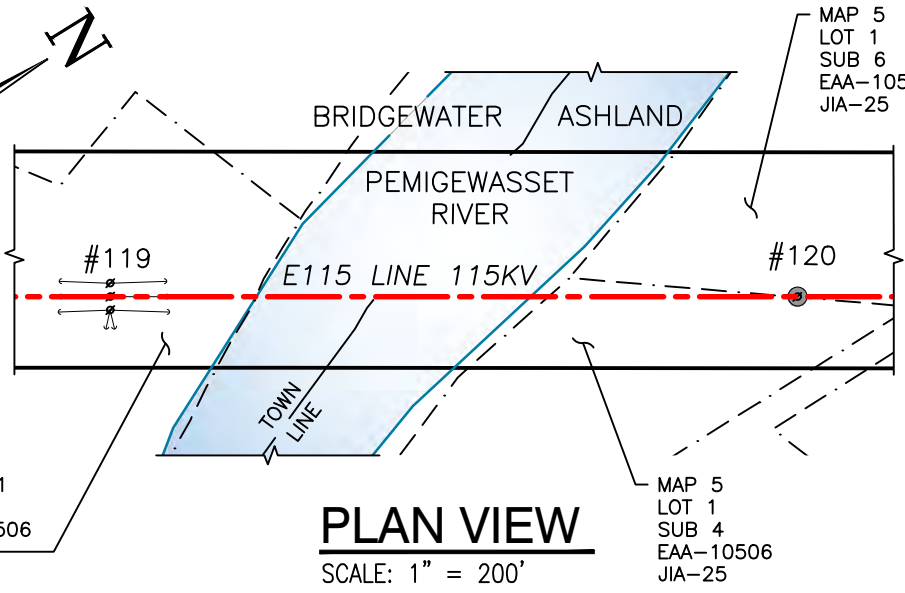
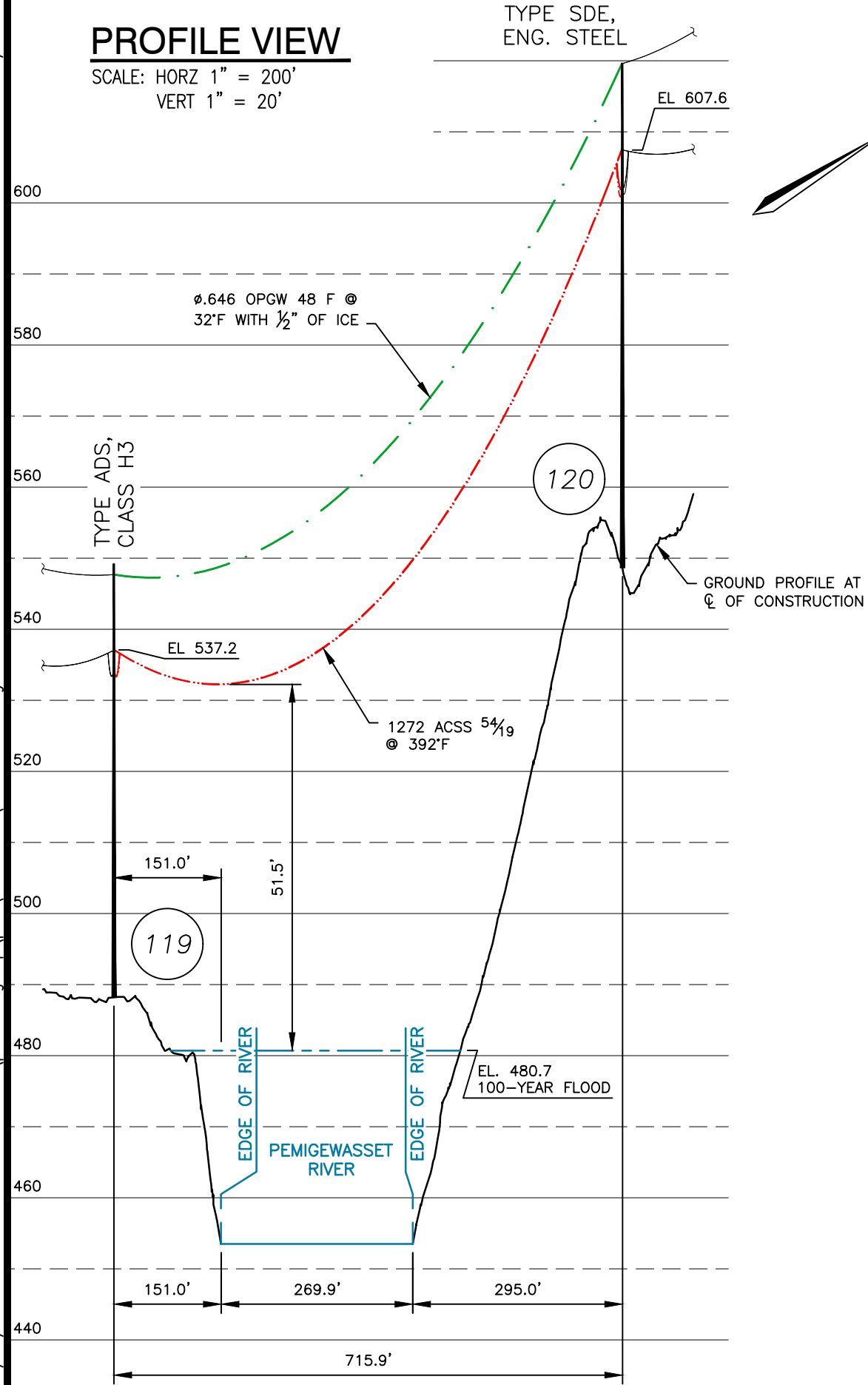
SCALE	AS SHOWN	FILE: E11543501.DWG	DRAWING NO.	E11543501
-------	----------	---------------------	-------------	-----------



12/14/2021 10:02 AM - SKern - C:\pwworking\pwworking\p1\d2576959\E11543909.dwg - EXHIBIT 9

# PROFILE VIEW

SCALE: HORZ 1" = 200'  
VERT 1" = 20'

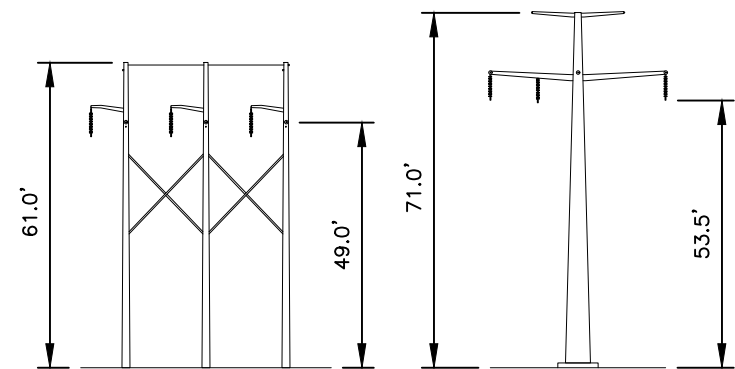


### LEGEND:

- #119 STRUCTURE (WITH GUYS)
- WATERBODY
- PROPERTY BOUNDARY
- E115 LINE 115KV LINE, CL OF CONSTRUCTION
- LIMITS OF EVERSOURCE RIGHT OF WAY

### NOTES:

1. PARCEL INFORMATION PROVIDED BY NH GRANIT.
2. ELEVATIONS REFERENCED TO THE NORTH AMERICAN VERTICAL DATUM OF 1988.
3. 100 YEAR FLOOD ELEVATION FROM THE FEMA FLOOD MAP SERVICE CENTER, NATIONAL FLOOD HAZARD LAYER FIRMETTE, 02/20/2008.



STRUCTURE 119  
TYPE ADS

STR 119: IS AN EVERSOURCE TYPE ADS, SINGLE CIRCUIT STEEL DEADEND STRUCTURE, HORIZONTAL CONFIG., GUYED

STRUCTURE 120  
TYPE SDE

STR 120: IS AN EVERSOURCE TYPE SDE, SINGLE CIRCUIT STEEL DEADEND STRUCTURE, HORIZONTAL CONFIG.

## STRUCTURE DETAILS

SCALE: NTS

STRUCTURE LOCATION		
STRUCTURE	LONGITUDE	LATITUDE
119	-71.65638987	43.71281707
120	-71.65497150	43.71448990

NESC VERTICAL CLEARANCE (FT) FROM TABLE 232.1	
NATURE OF SURFACE UNDERNEATH WIRES, CONDUCTORS OR CABLES	115kV
WATER AREAS NOT SUITABLE FOR SAIL BOATING OR WHERE SAIL BOATING IS PROHIBITED	18.6

CABLE SCHEDULE						
WIRE	QTY OF CABLES	DESCRIPTION	DESIGN CONDITIONS			
			MAX DESIGN TENSION (lb)	TEMP (°F)	ICE (in)	WIND (psf)
CONDUCTOR	3	ACSS, 1272 kcmil 54/19, PHEASANT	10000	0	0.5	4
OPGW	2	48F 0.646 AFL S3-81/69/646	5000	0	0.5	4



# EVERSOURCE ENERGY

LINE E115, 115kV LINE  
PEMIGEWASSET RIVER, PUBLIC WATER CROSSING  
BRIDGEWATER & ASHLAND, NEW HAMPSHIRE  
EXHIBIT 9

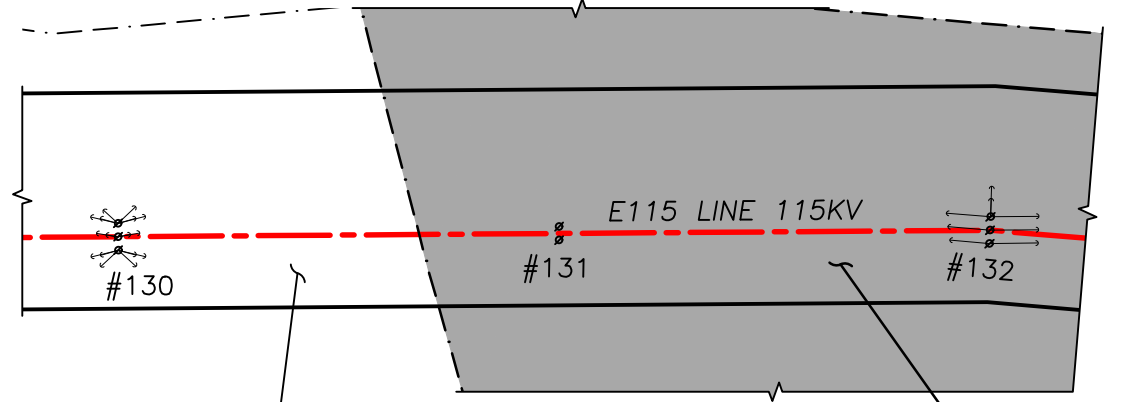
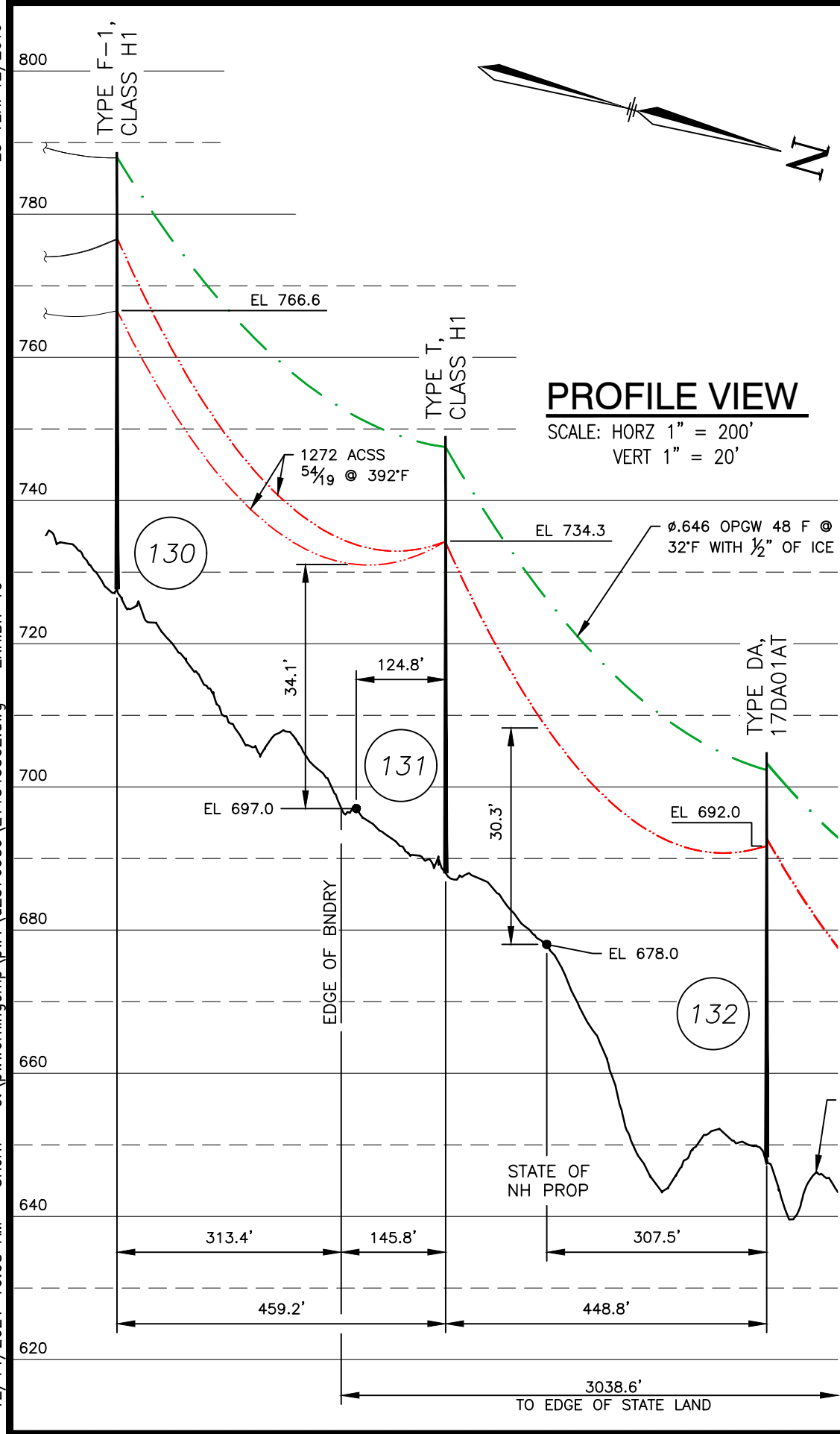
DRAWN SEK/TRC	T 1
ENGINEER GEL/TRC	
CHECKED BRK/TRC	
APPROVED BRK/TRC	
DATE 12/15/21	

SCALE: AS SHOWN    FILE: E11543909.DWG    DRAWING NO. E11543909

DWG REV	ISSUED FOR REVIEW	EPN/DESCRIPTION	CONT/PE#	DATE	SEK	BRK	BRK
1	ISSUED FOR REVIEW			12/21	SEK	BRK	BRK

ES VER: 12/2016

12/14/2021 10:08 AM - SKern - C:\pwworking\pwworking\p1\d2576959\E11543502.dwg - EXHIBIT 10



**LEGEND:**

- #130 STRUCTURE (WITH GUYS)
- STATE OF NEW HAMPSHIRE PROPERTY
- PROPERTY BOUNDARY
- E115 LINE 115KV
- LINE,  $\phi$  OF CONSTRUCTION
- LIMITS OF EVERSOURCE RIGHT OF WAY

- NOTES:**
- PARCEL INFORMATION PROVIDED BY NH GRANIT.
  - ELEVATIONS REFERENCED TO THE NORTH AMERICAN VERTICAL DATUM OF 1988.

**STRUCTURE DETAILS**  
SCALE: NTS

**STRUCTURE 130**  
TYPE F-1  
STR 130: IS AN EVERSOURCE TYPE F-1, SINGLE CIRCUIT STEEL DEADEND STRUCTURE, TRANSPOSITION CONFIG., GUYED

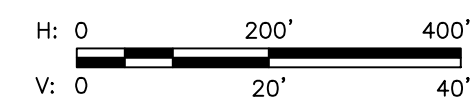
**STRUCTURE 131**  
TYPE T  
STR 131: IS AN EVERSOURCE TYPE T, SINGLE CIRCUIT STEEL TANGENT STRUCTURE, HORIZONTAL CONFIG.

**STRUCTURE 132**  
TYPE DA  
STR 132: IS AN EVERSOURCE TYPE DA, SINGLE CIRCUIT STEEL DEADEND STRUCTURE, HORIZONTAL CONFIG., GUYED

STRUCTURE LOCATION		
STRUCTURE	LONGITUDE	LATITUDE
130	-71.65476659	43.72599586
131	-71.65524582	43.72720680
132	-71.65571420	43.72839029

NESC VERTICAL CLEARANCE (FT) FROM TABLE 232.1	
NATURE OF SURFACE UNDERNEATH WIRES, CONDUCTORS OR CABLES	115kv
OTHER AREAS TRAVERSED BY VEHICLES, SUCH AS CULTIVATED, GRAZING, FOREST, AND ORCHARD LANDS, INDUSTRIAL SITES, COMMERCIAL SITES, ETC.	20.1

CABLE SCHEDULE						
WIRE	QTY OF CABLES	DESCRIPTION	DESIGN CONDITIONS			
			MAX DESIGN TENSION (lb)	TEMP (°F)	ICE (in)	WIND (psf)
CONDUCTOR	3	ACSS, 1272 kcmil 54/19, PHEASANT	10000	0	0.5	4
OPGW	2	48F Ø0.646 AFL S3-81/69/646	5000	0	0.5	4



**EVERSOURCE ENERGY**

LINE E115, 115KV LINE  
STATE OWNED LAND CROSSING  
ASHLAND, NEW HAMPSHIRE  
EXHIBIT 10

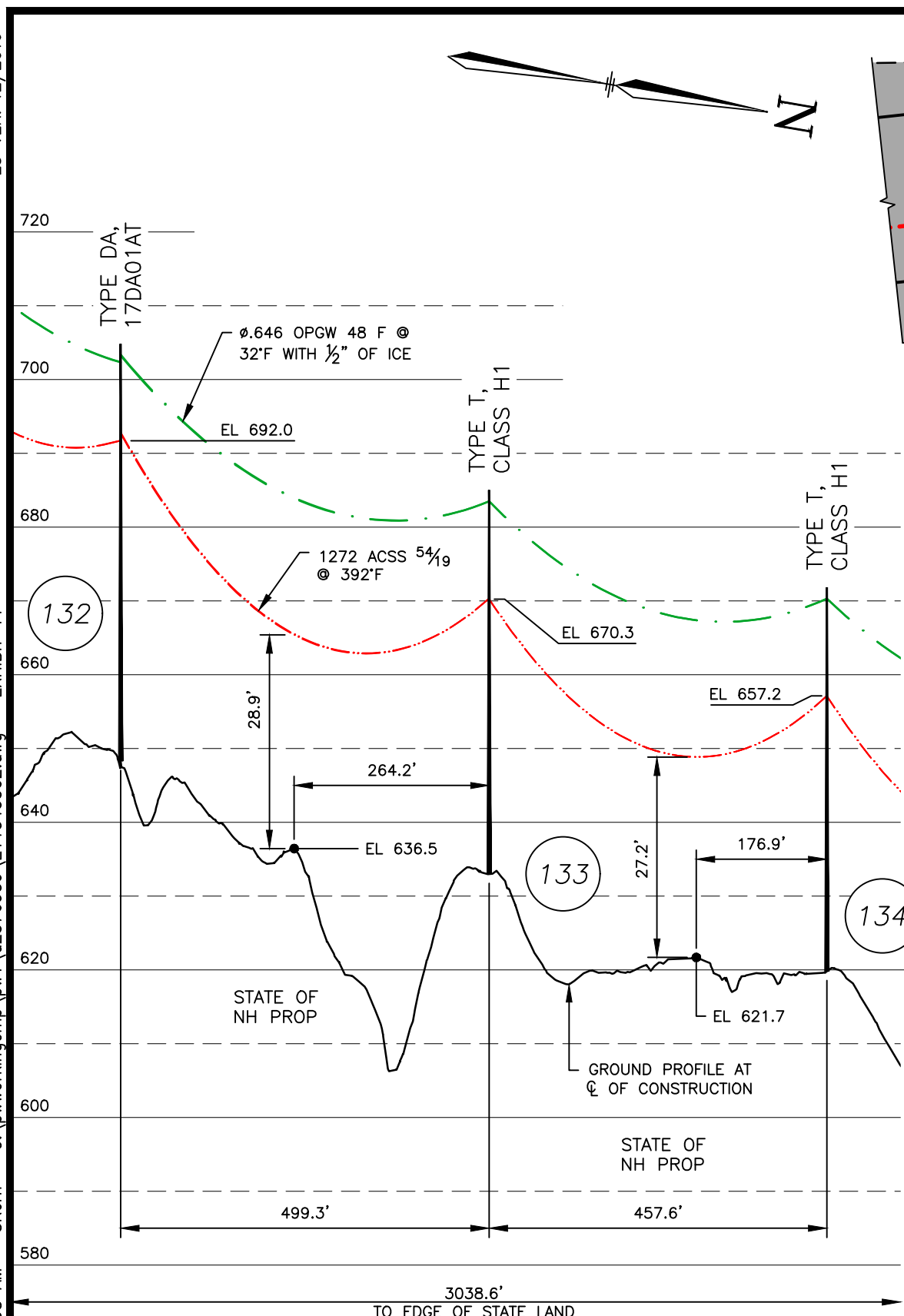
T	1
DRAWN	SEK/TRC
ENGINEER	GEL/TRC
CHECKED	BRK/TRC
APPROVED	BRK/TRC
DATE	12/15/21

SCALE: AS SHOWN  
FILE: E11543502.DWG  
DRAWING NO.: E11543502

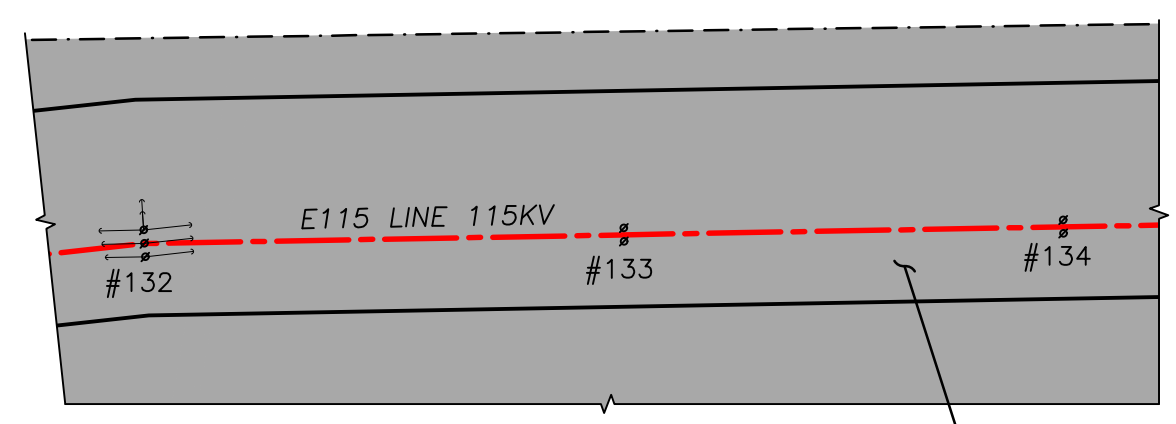
DWG REV	ISSUED FOR REVIEW	EPN/DESCRIPTION	CONT/PE#	DATE	SEK	BRK	BRK
1	ISSUED FOR REVIEW			12/21	SEK	BRK	BRK

ES VER: 12/2016

12/14/2021 10:08 AM - SKern - C:\pwworking\pwworking\p1\d2576959\E11543502.dwg - EXHIBIT 11



**PROFILE VIEW**  
SCALE: HORZ 1" = 200'  
VERT 1" = 20'

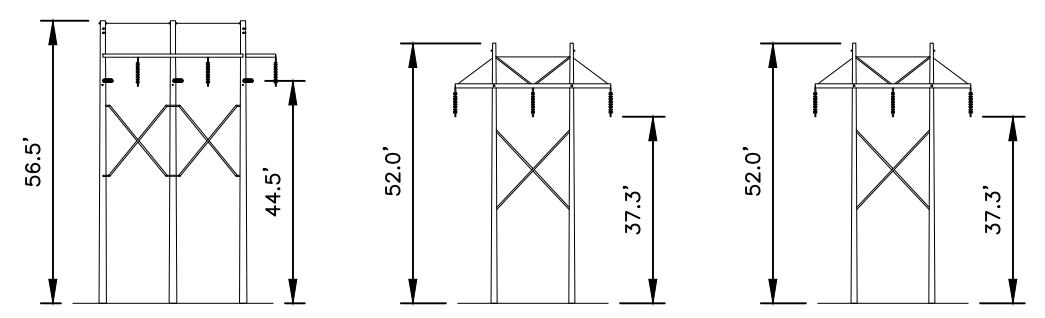


**PLAN VIEW**  
SCALE: 1" = 200'

**LEGEND:**

- STRUCTURE (WITH GUYS) #132
- STATE OF NEW HAMPSHIRE PROPERTY
- PROPERTY BOUNDARY
- E115 LINE 115KV
- LINE, C OF CONSTRUCTION
- LIMITS OF EVERSOURCE RIGHT OF WAY

- NOTES:**
- PARCEL INFORMATION PROVIDED BY NH GRANIT.
  - ELEVATIONS REFERENCED TO THE NORTH AMERICAN VERTICAL DATUM OF 1988.



**STRUCTURE 132**  
TYPE DA  
STR 132: IS AN EVERSOURCE TYPE DA, SINGLE CIRCUIT STEEL DEADEND STRUCTURE, HORIZONTAL CONFIG., GUYED

**STRUCTURE 133**  
TYPE T  
STR 133: IS AN EVERSOURCE TYPE T, SINGLE CIRCUIT STEEL TANGENT STRUCTURE, HORIZONTAL CONFIG.

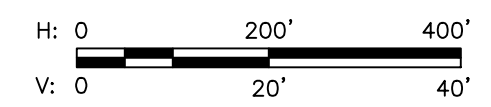
**STRUCTURE 134**  
TYPE T  
STR 134: IS AN EVERSOURCE TYPE T, SINGLE CIRCUIT STEEL TANGENT STRUCTURE, HORIZONTAL CONFIG.

**STRUCTURE DETAILS**  
SCALE: NTS

STRUCTURE LOCATION		
STRUCTURE	LONGITUDE	LATITUDE
132	-71.65571420	43.72839029
133	-71.65607013	43.72973566
134	-71.65639633	43.73096863

NESC VERTICAL CLEARANCE (FT) FROM TABLE 232.1	
NATURE OF SURFACE UNDERNEATH WIRES, CONDUCTORS OR CABLES	115kv
OTHER AREAS TRAVERSED BY VEHICLES, SUCH AS CULTIVATED, GRAZING, FOREST, AND ORCHARD LANDS, INDUSTRIAL SITES, COMMERCIAL SITES, ETC.	20.1

CABLE SCHEDULE						
WIRE	QTY OF CABLES	DESCRIPTION	DESIGN CONDITIONS			
			MAX DESIGN TENSION (lb)	TEMP (°F)	ICE (in)	WIND (psf)
CONDUCTOR	3	ACSS, 1272 kcmil 54/19, PHEASANT	10000	0	0.5	4
OPGW	2	48F 0.646 AFL S3-81/69/646	5000	0	0.5	4



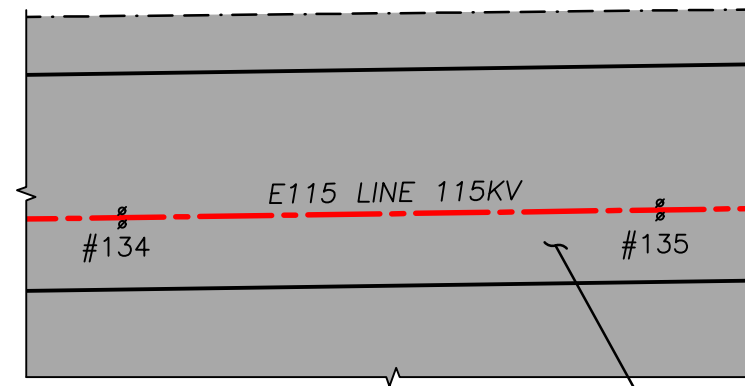
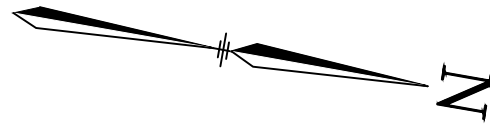
**EVERSOURCE ENERGY**

LINE E115, 115kV LINE  
STATE OWNED LAND CROSSING  
ASHLAND, NEW HAMPSHIRE  
EXHIBIT 11

T	1
DRAWN	SEK/TRC
ENGINEER	GEL/TRC
CHECKED	BRK/TRC
APPROVED	BRK/TRC
DATE	12/15/21

SCALE: AS SHOWN  
FILE: E11543502.DWG  
DRAWING NO.: E11543502

DWG REV	ISSUED FOR REVIEW	EPN/DESCRIPTION	CONT/PE#	DATE	SEK	BRK	BRK
1	ISSUED FOR REVIEW			12/21	SEK	BRK	BRK



**PLAN VIEW**  
SCALE: 1" = 200'

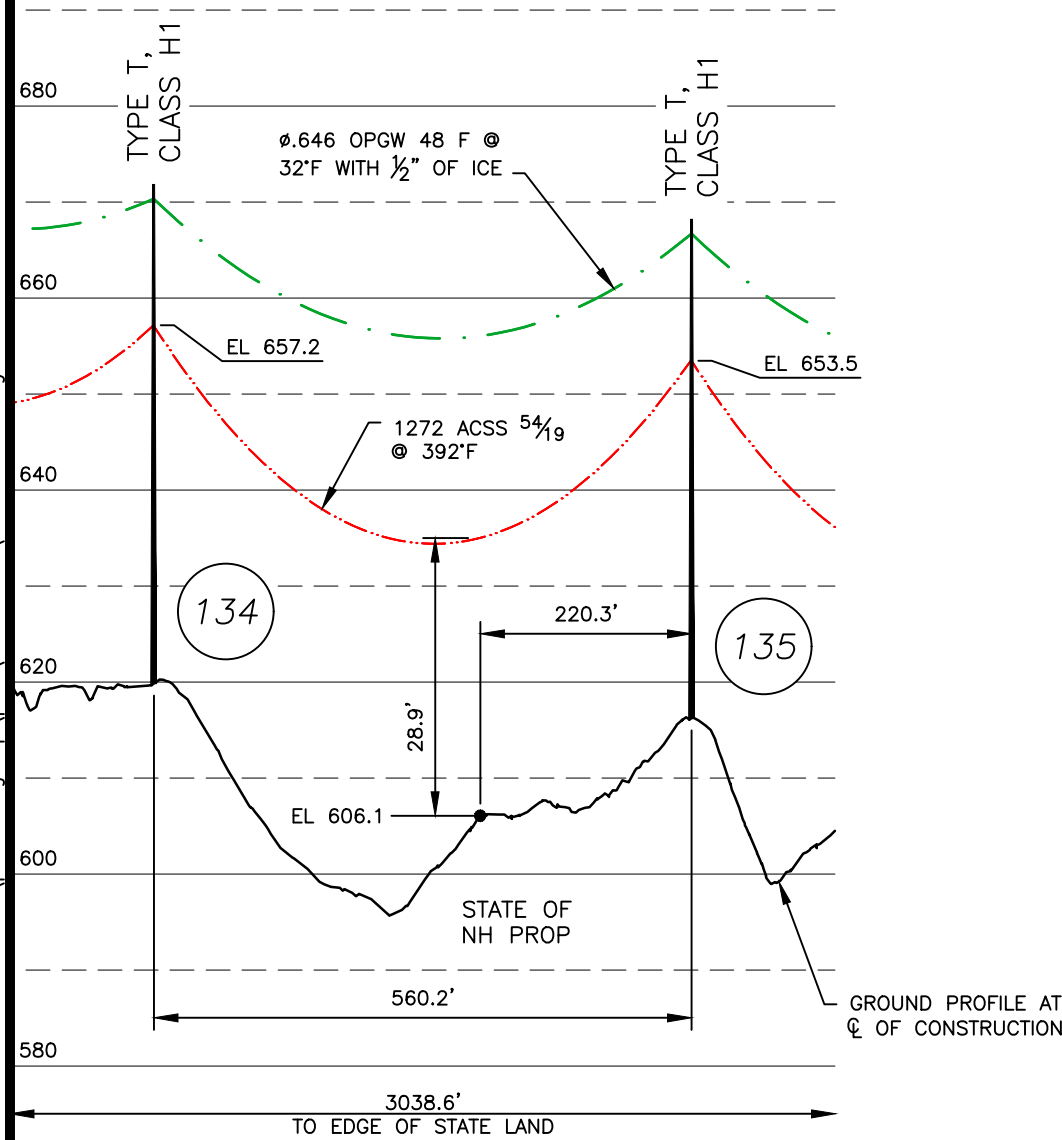
STATE OF NEW HAMPSHIRE  
MAP 7  
LOT 1  
SUB 11  
EAA-10505  
JIA-27

**LEGEND:**

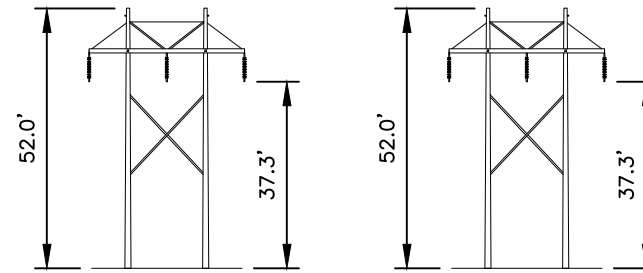
- #134 STRUCTURE
- STATE OF NEW HAMPSHIRE PROPERTY
- PROPERTY BOUNDARY
- E115 LINE 115KV
- LIMITS OF EVERSOURCE RIGHT OF WAY

**NOTES:**

1. PARCEL INFORMATION PROVIDED BY NH GRANIT.
2. ELEVATIONS REFERENCED TO THE NORTH AMERICAN VERTICAL DATUM OF 1988.



**PROFILE VIEW**  
SCALE: HORZ 1" = 200'  
VERT 1" = 20'



STRUCTURE 134  
TYPE T

STR 134: IS AN EVERSOURCE TYPE T, SINGLE CIRCUIT STEEL TANGENT STRUCTURE, HORIZONTAL CONFIG.

STRUCTURE 135  
TYPE T

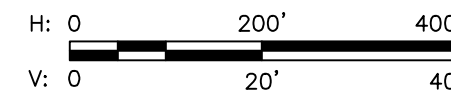
STR 135: IS AN EVERSOURCE TYPE T, SINGLE CIRCUIT STEEL TANGENT STRUCTURE, HORIZONTAL CONFIG.

**STRUCTURE DETAILS**  
SCALE: NTS

STRUCTURE LOCATION		
STRUCTURE	LONGITUDE	LATITUDE
134	-71.65639633	43.73096863
135	-71.65679565	43.73247789

NESC VERTICAL CLEARANCE (FT) FROM TABLE 232.1	
NATURE OF SURFACE UNDERNEATH WIRES, CONDUCTORS OR CABLES	115kv
OTHER AREAS TRAVERSED BY VEHICLES, SUCH AS CULTIVATED, GRAZING, FOREST, AND ORCHARD LANDS, INDUSTRIAL SITES, COMMERCIAL SITES, ETC.	20.1

CABLE SCHEDULE						
WIRE	QTY OF CABLES	DESCRIPTION	DESIGN CONDITIONS			
			MAX DESIGN TENSION (lb)	TEMP (°F)	ICE (in)	WIND (psf)
CONDUCTOR	3	ACSS, 1272 kcmil 54/19, PHEASANT	10000	0	0.5	4
OPGW	2	48F 0.646 AFL S3-81/69/646	5000	0	0.5	4



**LINE E115, 115KV LINE  
STATE OWNED LAND CROSSING  
ASHLAND, NEW HAMPSHIRE  
EXHIBIT 12**

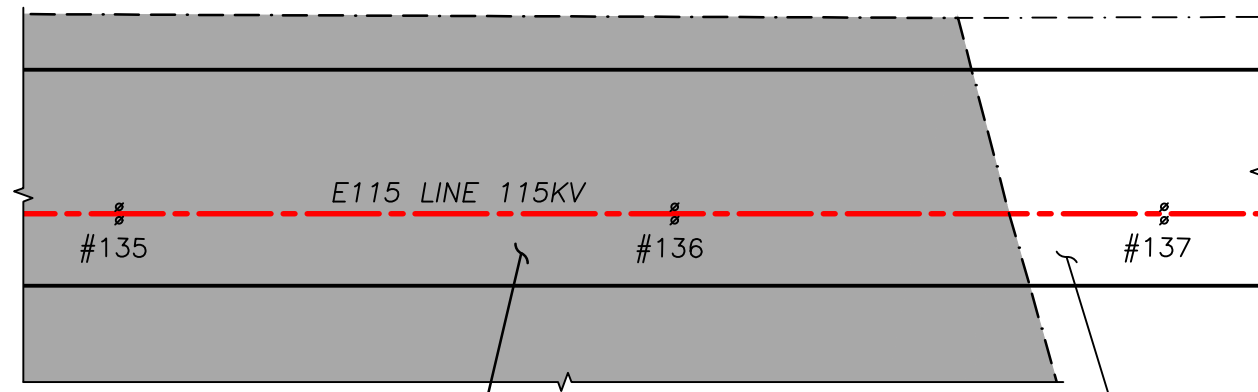
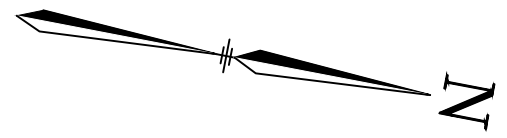
DRAWN SEK/TRC	T   1
ENGINEER GEL/TRC	
CHECKED BRK/TRC	
APPROVED BRK/TRC	
DATE 12/15/21	

SCALE AS SHOWN	FILE: E11543502.DWG	DRAWING NO. <b>E11543502</b>
-------------------	---------------------	---------------------------------

DWG REV	ISSUED FOR REVIEW	EPN/DESCRIPTION	CONT/PE#	DATE	DRN	CHKD	APPR
1	ISSUED FOR REVIEW			12/21	SEK	BRK	BRK

ES VER: 12/2016

12/14/2021 10:08 AM - SKern - C:\pwworking\mp\pwl\d2576959\E11543502.dwg - EXHIBIT 13



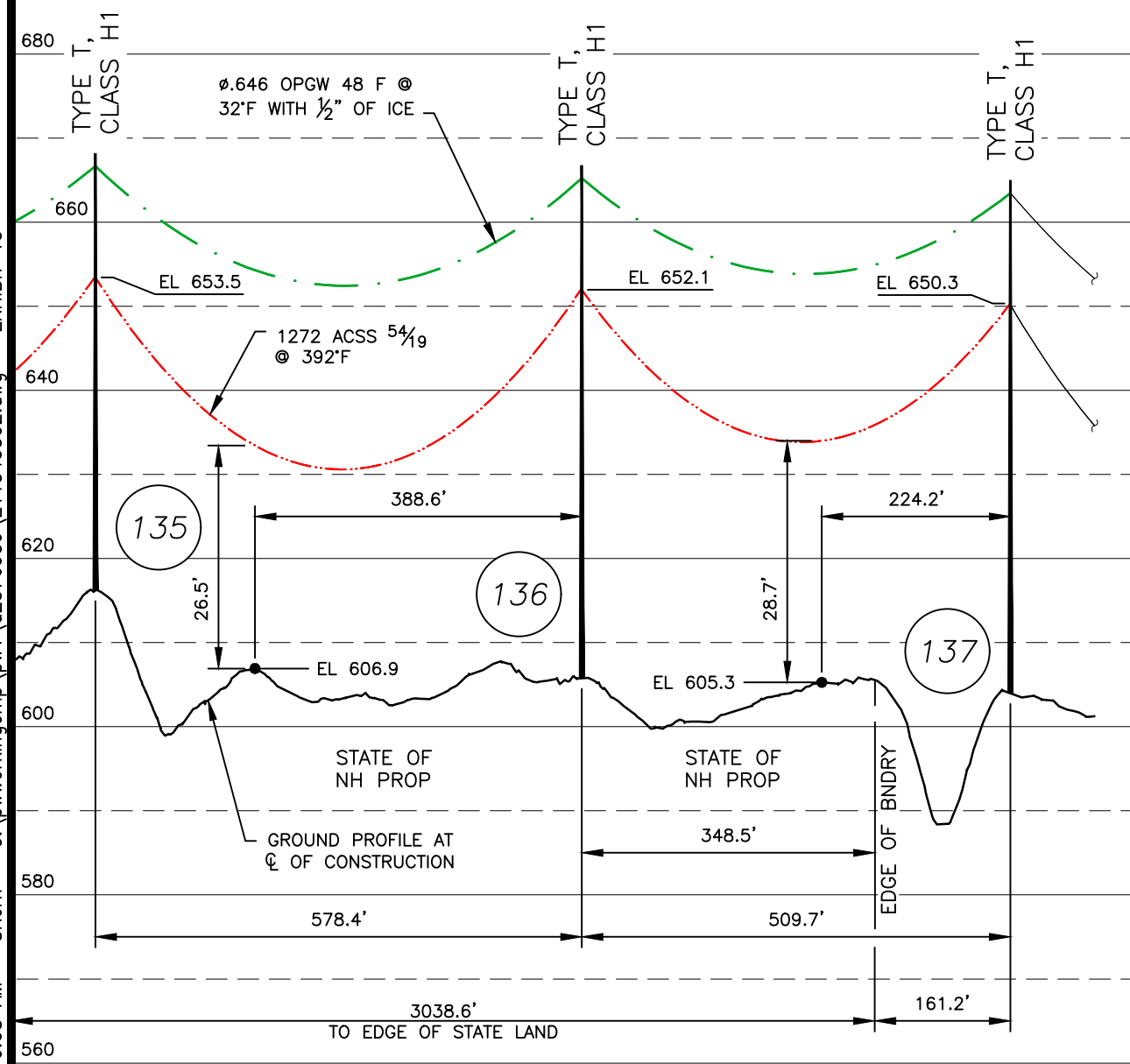
- LEGEND:**
- #135 STRUCTURE
  - STATE OF NEW HAMPSHIRE PROPERTY
  - PROPERTY BOUNDARY
  - E115 LINE 115KV LINE,  $\phi$  OF CONSTRUCTION
  - LIMITS OF EVERSOURCE RIGHT OF WAY

- NOTES:**
1. PARCEL INFORMATION PROVIDED BY NH GRANIT.
  2. ELEVATIONS REFERENCED TO THE NORTH AMERICAN VERTICAL DATUM OF 1988.

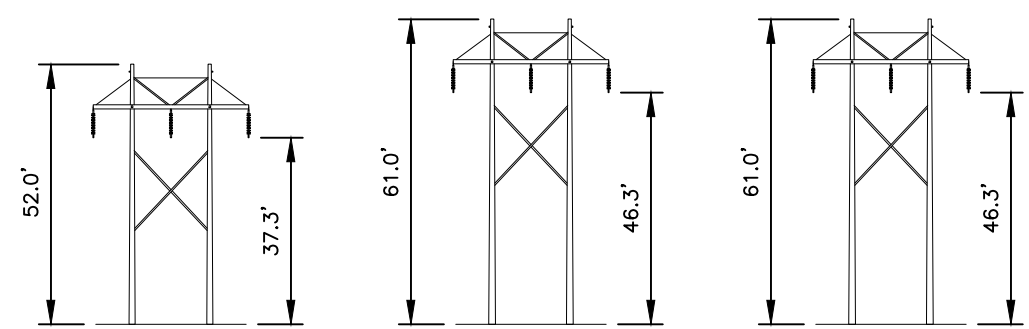
STATE OF NEW HAMPSHIRE  
MAP 7  
LOT 1  
SUB 11  
EAA-10505  
JIA-27

MAP 8  
LOT 1  
SUB 1  
EAA-2539

**PLAN VIEW**  
SCALE: 1" = 200'



**PROFILE VIEW**  
SCALE: HORZ 1" = 200'  
VERT 1" = 20'



**STRUCTURE 135**  
TYPE T  
STR 135: IS AN EVERSOURCE TYPE T, SINGLE CIRCUIT STEEL TANGENT STRUCTURE, HORIZONTAL CONFIG.

**STRUCTURE 136**  
TYPE T  
STR 136: IS AN EVERSOURCE TYPE T, SINGLE CIRCUIT STEEL TANGENT STRUCTURE, HORIZONTAL CONFIG.

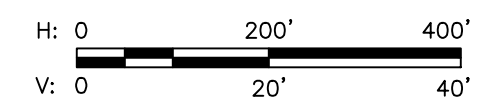
**STRUCTURE 137**  
TYPE T  
STR 137: IS AN EVERSOURCE TYPE T, SINGLE CIRCUIT STEEL TANGENT STRUCTURE, HORIZONTAL CONFIG.

**STRUCTURE DETAILS**  
SCALE: NTS

STRUCTURE LOCATION		
STRUCTURE	LONGITUDE	LATITUDE
135	-71.65679565	43.73247789
136	-71.65720797	43.73403620
137	-71.65757134	43.73540948

NESC VERTICAL CLEARANCE (FT) FROM TABLE 232.1	
NATURE OF SURFACE UNDERNEATH WIRES, CONDUCTORS OR CABLES	115kv
OTHER AREAS TRAVERSED BY VEHICLES, SUCH AS CULTIVATED, GRAZING, FOREST, AND ORCHARD LANDS, INDUSTRIAL SITES, COMMERCIAL SITES, ETC.	20.1

CABLE SCHEDULE						
WIRE	QTY OF CABLES	DESCRIPTION	DESIGN CONDITIONS			
			MAX DESIGN TENSION (lb)	TEMP (°F)	ICE (in)	WIND (psf)
CONDUCTOR	3	ACSS, 1272 kcmil 54/19, PHEASANT	10000	0	0.5	4
OPGW	2	48F $\phi$ 0.646 AFL S3-81/69/646	5000	0	0.5	4



**EVERSOURCE ENERGY**

LINE E115, 115KV LINE  
STATE OWNED LAND CROSSING  
ASHLAND, NEW HAMPSHIRE  
EXHIBIT 13

<p>T 1</p> <p>DRAWN SEK/TRC</p> <p>ENGINEER GEL/TRC</p> <p>CHECKED BRK/TRC</p> <p>APPROVED BRK/TRC</p> <p>DATE 12/15/21</p>	<p>SCALE AS SHOWN</p> <p>FILE: E11543502.DWG</p> <p>DRAWING NO. E11543502</p>
---	---

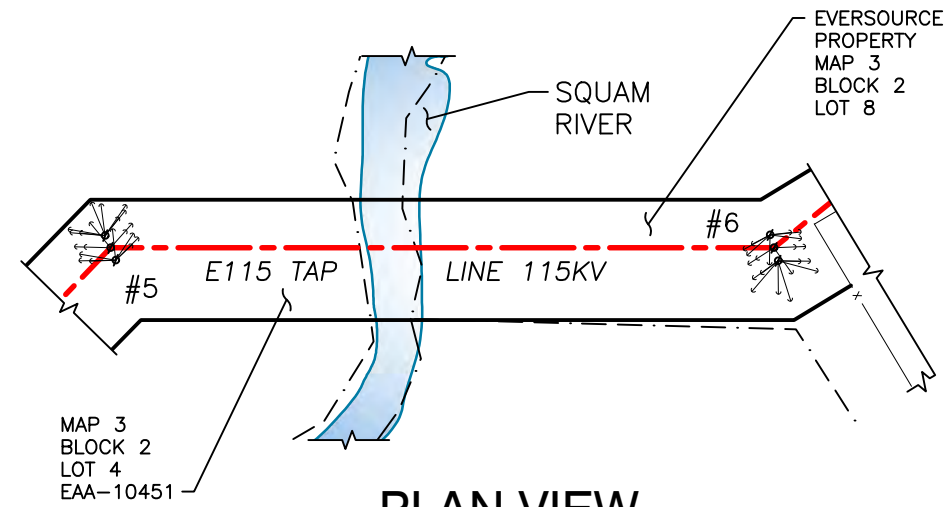
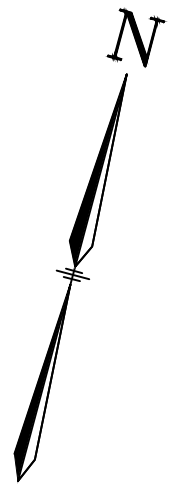
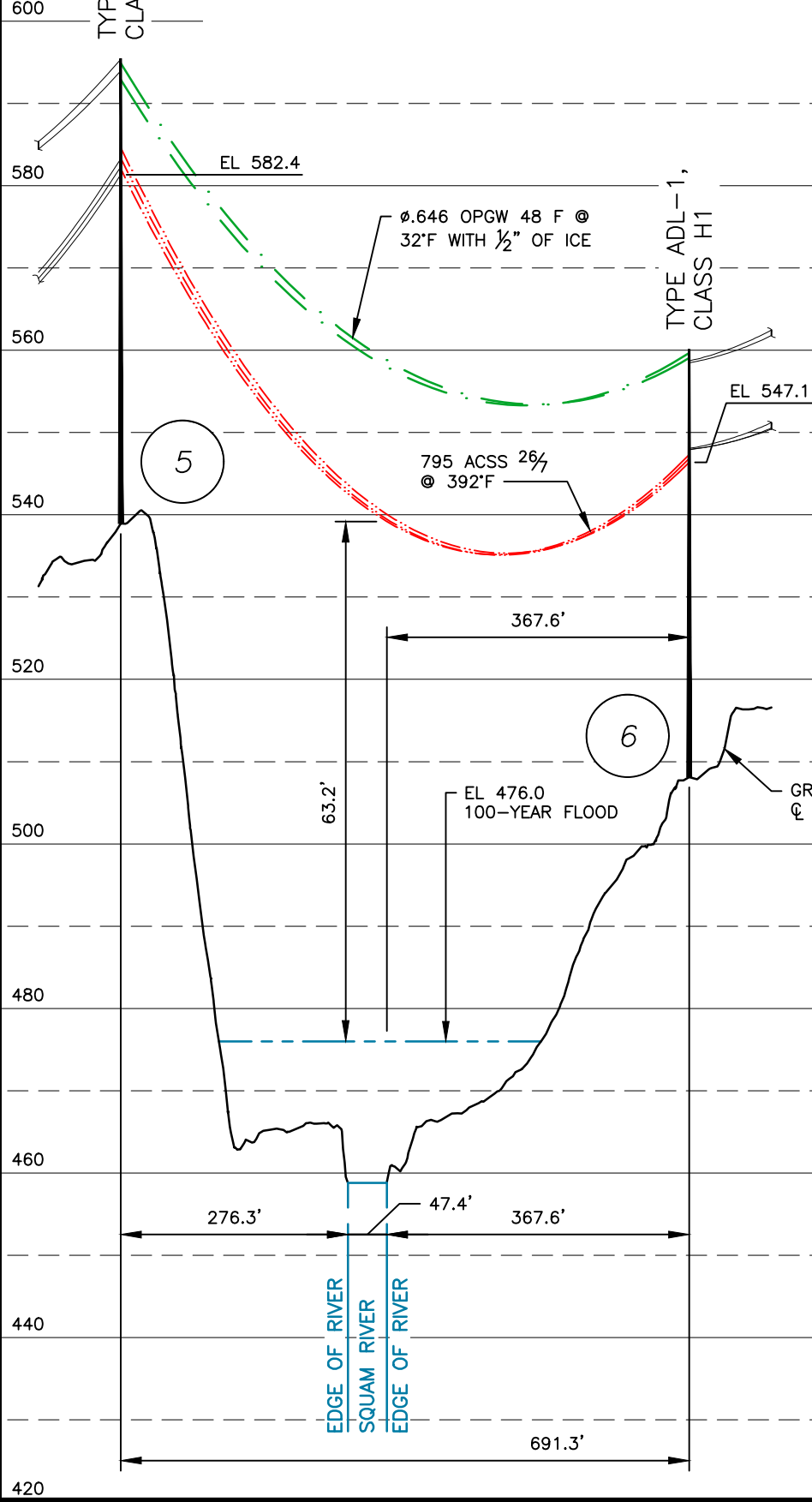
DWG REV	ISSUED FOR REVIEW	EPN/DESCRIPTION	CONT/PE#	DATE	SEK	BRK	BRK
1	ISSUED FOR REVIEW			12/21	SEK	BRK	BRK

ES VER: 12/2016

12/14/2021 9:31 AM - Skern - C:\pwworkingmp\pw1\d2576959\E11543910.dwg - EXHIBIT 14

# PROFILE VIEW

SCALE: HORZ 1" = 200'  
VERT 1" = 20'



# PLAN VIEW

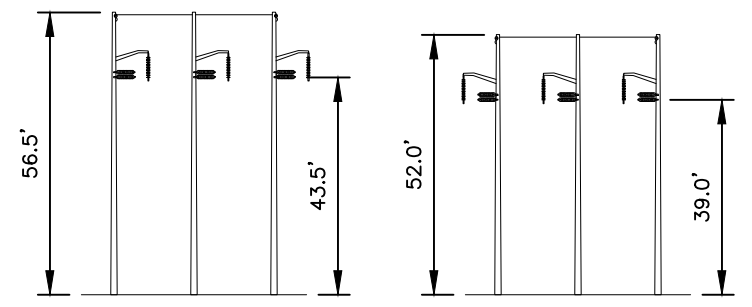
SCALE: 1" = 200'

### LEGEND:

- #5 STRUCTURE (WITH GUYS)
- WATERBODY
- PROPERTY BOUNDARY
- E115 TAP LINE 115KV
- LINE, C OF CONSTRUCTION
- LIMITS OF EVERSOURCE RIGHT OF WAY

### NOTES:

1. PARCEL INFORMATION PROVIDED BY NH GRANIT.
2. ELEVATIONS REFERENCED TO THE NORTH AMERICAN VERTICAL DATUM OF 1988.
3. 100 YEAR FLOOD ELEVATION FROM THE FEMA FLOOD MAP SERVICE CENTER, NATIONAL FLOOD HAZARD LAYER FIRMETTE, 01/16/2020.



STRUCTURE 5  
TYPE ADL-1

STR 5: IS AN EVERSOURCE TYPE ADL-1, SINGLE CIRCUIT STEEL DEADEND STRUCTURE, HORIZONTAL CONFIG., GUYED

STRUCTURE 6  
TYPE ADL-1

STR 6: IS AN EVERSOURCE TYPE ADL-1, SINGLE CIRCUIT STEEL DEADEND STRUCTURE, HORIZONTAL CONFIG., GUYED

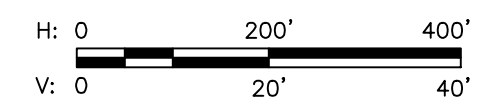
# STRUCTURE DETAILS

SCALE: NTS

STRUCTURE LOCATION		
STRUCTURE	LONGITUDE	LATITUDE
5	-71.64054204	43.69080577
6	-71.63801710	43.69129526

NESC VERTICAL CLEARANCE (FT) FROM TABLE 232.1	
NATURE OF SURFACE UNDERNEATH WIRES, CONDUCTORS OR CABLES	115kV
WATER AREAS NOT SUITABLE FOR SAIL BOATING OR WHERE SAIL BOATING IS PROHIBITED	18.6

CABLE SCHEDULE						
WIRE	QTY OF CABLES	DESCRIPTION	DESIGN CONDITIONS			
			MAX DESIGN TENSION (lb)	TEMP (°F)	ICE (in)	WIND (psf)
CONDUCTOR	3	ACSS, 795 kcmil 26/7, DRAKE	7000	0	0.5	4
OPGW	2	48F Ø0.646 AFL S3-81/69/646	5000	0	0.5	4



**LINE E115 TAP, 115kV LINE  
SQUAM RIVER, PUBLIC WATER CROSSING  
ASHLAND, NEW HAMPSHIRE  
EXHIBIT 14**

SCALE AS SHOWN	FILE: E11543910.DWG	DRAWING NO. <b>E11543910</b>
-------------------	---------------------	---------------------------------

DWG REV	ISSUED FOR REVIEW	EPN/DESCRIPTION	CONT/PE#	DATE	SEK	BRK	BRK
1	ISSUED FOR REVIEW			12/21	SEK	BRK	BRK

**EXHIBIT 15 - Eversource E115 Line and E115 Tap Line Rebuild - DOE State Land and Waterbody Crossing Details**

Existing Structure #	New Structure #	Structure Type	Height Change (feet)	Span (Pole to Pole)	Span Distance (feet)	Minimum NESC Table 232-1 Clearance (ft.)	ES Vertical Design Clearance (ft.)	Complies with NESC Table 232-1 (Y/N)
122	3	106' steel 2 pole, T, CLH3	10	3-4	1,446.60	30.1	50.2	Y
123	4	106" steel 2 pole, T, CLH3	20					
166	47	61.0' steel 3 pole, BP, CLH1	10	47-48	616.6	30.1	44.8	Y
167	48	61.0' steel 2 pole, TG, CLH1	0					
168	49	61.0' steel single pole, SDE, ENG. Steel	5	49-50	290.3	20.1	43.5	Y
169	50	70.0' steel 2 pole, TG, CLH1	25					
170	51	70.0' steel 2 pole, T, CLH1	15	50-51	381.7	20.1	44.2	Y
171	52	79.0' steel 2 pole, T, CLH3	15	51-52	349.5	20.1	53.7	Y
211	92	52.0' steel 2 pole, T, CLH1	0	92-93	737.3	18.6	43.9	Y
212	93	56.5' steel 2 pole, T, CLH1	10					
229	111	56.5' steel 2 pole, T, CLH1	15	111-112	571.6	18.6	19.5	Y
230	112	61.0' steel 2 pole, T, CLH1	20					
235	117	70.0' steel 2 pole, T, CLH1	15	117-118	250.3	28.1	44.5	Y
236	118	61.0' steel 2 pole, TG, CLH1	10					
237	119	61.0' steel 3 pole, ADS, CLH3	15	119-120	715.9	18.6	51.5	Y
238	120	71.0' steel single pole, SDE, ENG. Steel	10					
239-10	130	61.0' steel 3 pole, F-1, CLH1	10	130-131	459.2	20.1	34.1	Y
239-11	131	61.0' steel 2 pole, T, CLH1	15					
239-12	132	56.5' steel 3 pole, DA, Class 17DA01AT	10	131-132	448.8	20.1	30.3	Y
241	133	52.0' steel 2 pole, T, CLH1	10	132-133	499.3	20.1	28.9	Y
242	134	52.0' steel 2 pole, T, CLH1	10	133-134	457.6	20.1	27.2	Y
243	135	52.0' steel 2 pole, T, CLH1	15	134-135	560.2	20.1	28.9	Y
244	136	61.0' steel 2 pole, T, CLH1	15	135-136	578.4	20.1	26.5	Y
245	137	61.0' steel 2 pole, T, CLH1	20	136-137	509.7	20.1	28.7	Y
5	5	56.6' steel 3 pole, ADL-1, CLH1	5	5-6	691.3	18.6	63.2	Y
6	6	52.0' steel 3 pole, ADL-1, CLH1	0					