

**LEGEND:**

- Z119 LINE: - - -
- Z119 STR: 5

**EVERSOURCE**  
ENERGY

LINE Z119, 115kV LINE  
STATE OWNED LAND CROSSING, LOCATION PLAN  
LONDONDERRY AND HUDSON, NEW HAMPSHIRE  
EXHIBIT 1

T	1
DRAWN JAM/TRC	
ENGINEER GEL/TRC	
CHECKED SEK/TRC	
APPROVED BRK/TRC	
DATE 06/28/21	

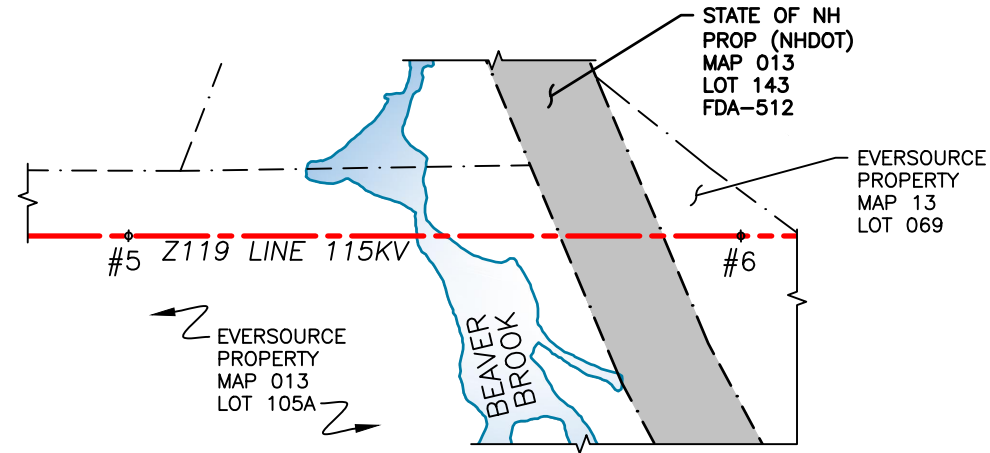
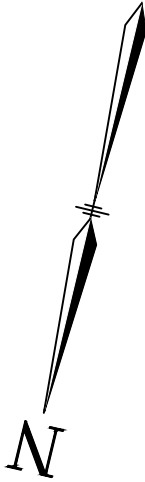
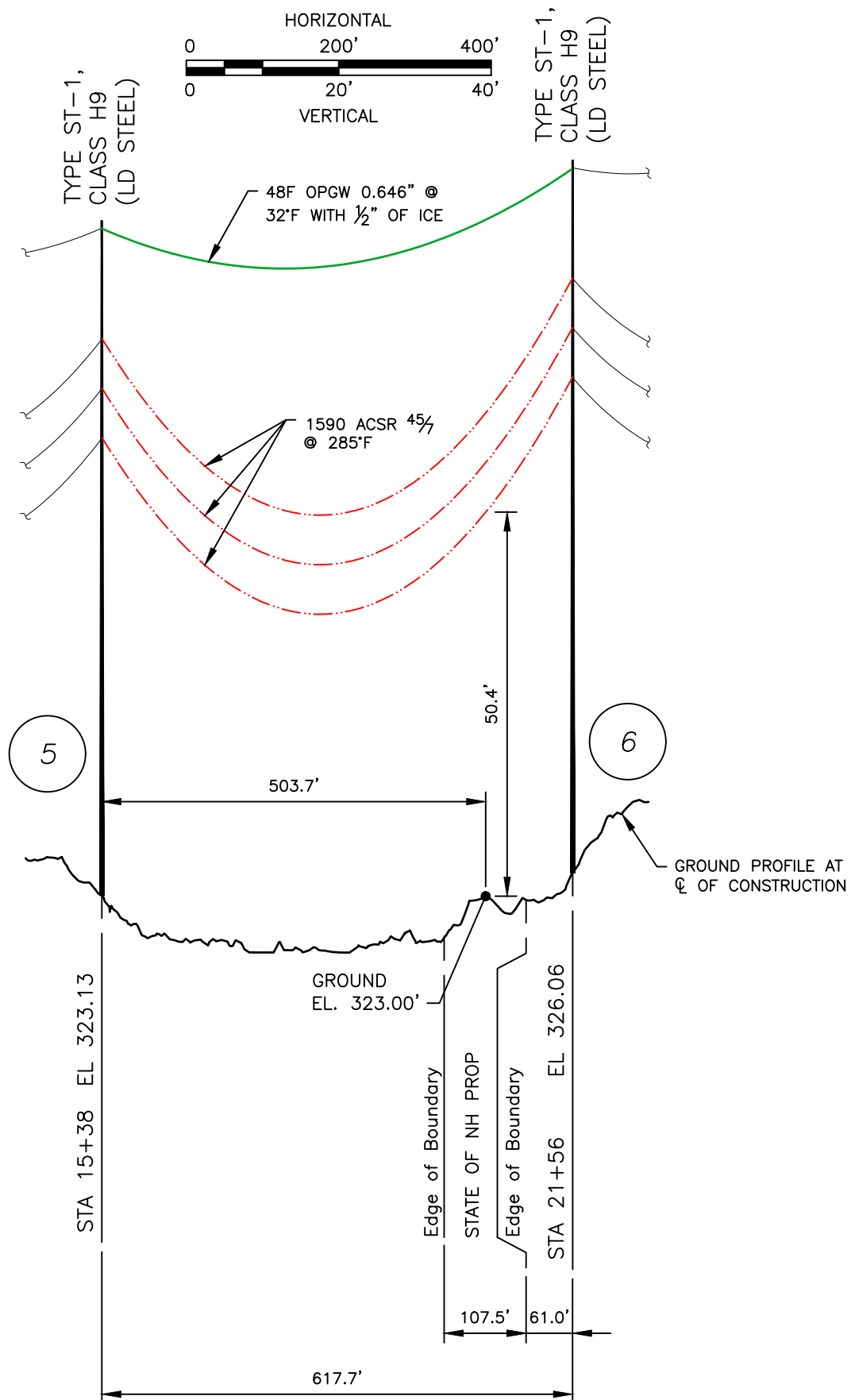
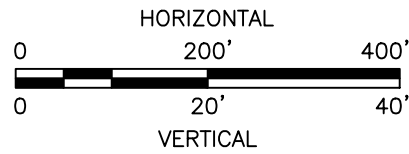
1	ISSUED TO PUC	7/30/21	CTS	APS	APS	
DWG REV	EPN/DESCRIPTION	CONT/PE#	DATE	DRN	CHKD	APPR

SCALE 1" = 6000'	FILE: Z11943501.DWG
IMAGE:	

DRAWING NO. <b>Z11943501</b>
---------------------------------

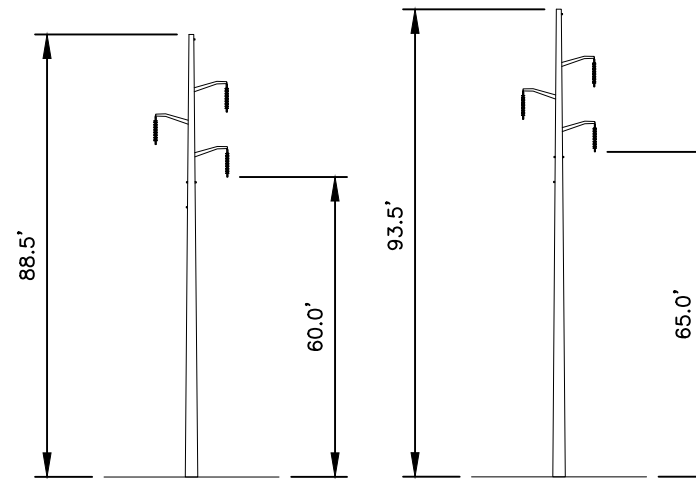
### PROFILE VIEW

SCALE: HORZ 1" = 200'  
VERT 1" = 20'



### PLAN VIEW

SCALE: 1" = 200'



STRUCTURE 5  
TYPE ST-1

STR 5: IS AN EVERSOURCE TYPE ST-1, SINGLE CIRCUIT STEEL TANGENT STRUCTURE, DELTA CONFIG.

STRUCTURE 6  
TYPE ST-1

STR 6: IS AN EVERSOURCE TYPE ST-1, SINGLE CIRCUIT STEEL TANGENT STRUCTURE, DELTA CONFIG.

### STRUCTURE DETAILS

SCALE: NTS

### LEGEND:

- #5 STRUCTURE
- STATE OF NEW HAMPSHIRE PROPERTY
- STREAM, EDGE OF RIVER/WATER
- PROPERTY BOUNDARY
- Z119 LINE 115KV
- LINE, C of CONSTRUCTION
- LIMITS OF EVERSOURCE RIGHT OF WAY

### STRUCTURE LOCATION

STRUCTURE	LONGITUDE	LATITUDE
5	-71.34379396	42.90115982
6	-71.34603810	42.90077154

### NESC VERTICAL CLEARANCE (FT) FROM TABLE 232.1

NATURE OF SURFACE UNDERNEATH WIRES, CONDUCTORS OR CABLES	115kV
TRACK RAILS OF RAILROAD	28.1

### NOTES:

- PARCEL INFORMATION PROVIDED BY NH GRANIT.
- ELEVATIONS REFERENCED TO THE NORTH AMERICAN VERTICAL DATUM OF 1988.

### CABLE SCHEDULE

WIRE	QTY OF CABLES	DESCRIPTION	DESIGN CONDITIONS			
			MAX DESIGN TENSION (lb)	TEMP (°F)	ICE (in)	WIND (psf)
CONDUCTOR	3	ACSR, 1590 kcmil 45/7, LAPWING	10500	0	0.5	4
STATIC	1	48F OPGW .646"	5000	0	0.5	4

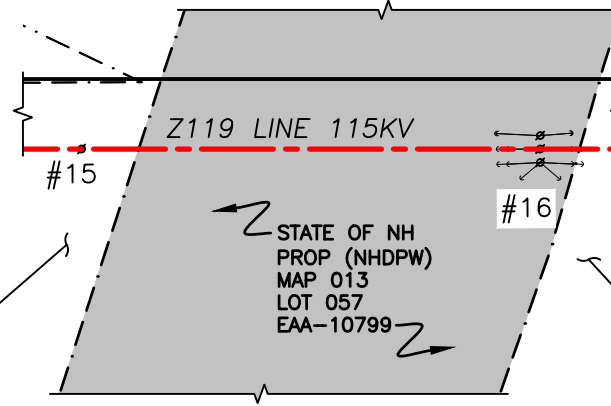
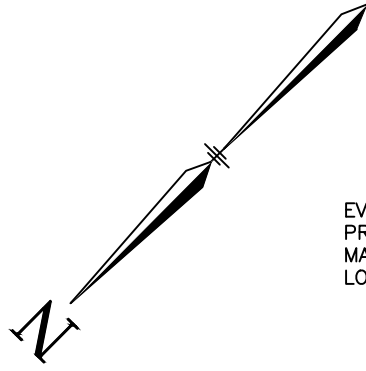
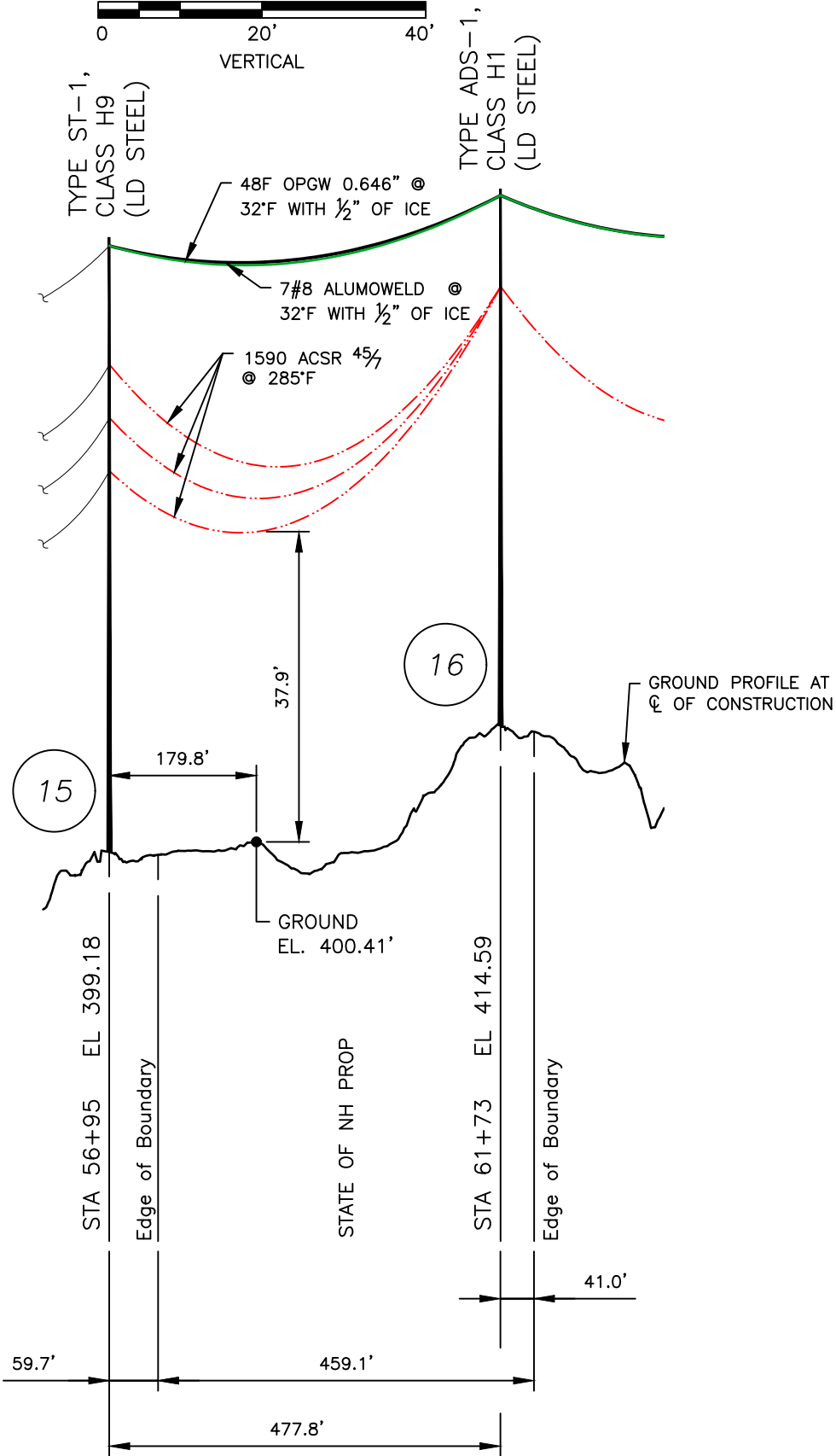
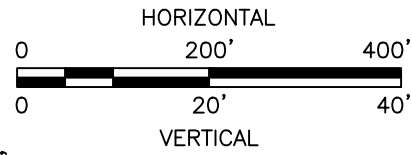
DWG REV	ISSUED TO PUC	EPN/DESCRIPTION	CONT/PE#	DATE	DRN	CHKD	APPR
1				7/30/21	CTS	APS	APS

**LINE Z119, 115kV LINE  
STATE OWNED LAND CROSSING  
LONDONDERRY, NEW HAMPSHIRE  
EXHIBIT 2**

SCALE AS SHOWN	FILE: Z11943501.DWG IMAGE:
DRAWING NO. <b>Z11943501</b>	DATE 06/28/21

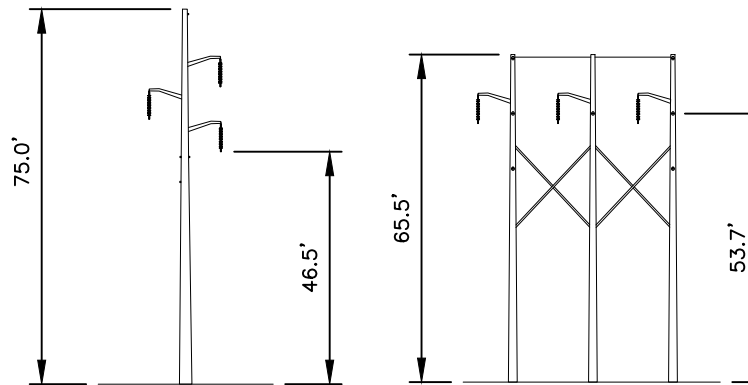
### PROFILE VIEW

SCALE: HORZ 1" = 200'  
VERT 1" = 20'



### PLAN VIEW

SCALE: 1" = 200'



STRUCTURE 15  
TYPE ST-1

STR 15: IS AN EVERSOURCE TYPE ST-1, SINGLE CIRCUIT STEEL TANGENT STRUCTURE, DELTA CONFIG.

STRUCTURE 16  
TYPE ADS-1

STR 16: IS AN EVERSOURCE TYPE ADS-1, SINGLE CIRCUIT STEEL DEADEND STRUCTURE, HORIZONTAL CONFIG., GUYED.

### STRUCTURE DETAILS

SCALE: NTS

#### CABLE SCHEDULE

WIRE	QTY OF CABLES	DESCRIPTION	DESIGN CONDITIONS			
			MAX DESIGN TENSION (lb)	TEMP (°F)	ICE (in)	WIND (psf)
CONDUCTOR	3	ACSR, 1590 kcmil 45/7, LAPWING	10500	0	0.5	4
STATIC	1	48F OPGW .646"	5000	0	0.5	4
STATIC	1	7#8 ALUMOWELD	3250	0	0.5	4

#### LEGEND:

- #17 STRUCTURE (WITH GUYS)
- STATE OF NEW HAMPSHIRE PROPERTY
- PROPERTY BOUNDARY
- Z119 LINE 115KV LINE, &#216; OF CONSTRUCTION
- LIMITS OF EVERSOURCE RIGHT OF WAY

#### STRUCTURE LOCATION

STRUCTURE	LONGITUDE	LATITUDE
15	-71.35777684	42.89705420
16	-71.35904758	42.89613459

#### NESC VERTICAL CLEARANCE (FT) FROM TABLE 232.1

NATURE OF SURFACE UNDERNEATH WIRES, CONDUCTORS OR CABLES	115kV
OTHER AREAS TRAVERSED BY VEHICLES, SUCH AS CULTIVATED, GRAZING, FOREST, AND ORCHARD LANDS, INDUSTRIAL SITES, COMMERCIAL SITES, ETC.	20.1

#### NOTES:

- PARCEL INFORMATION PROVIDED BY NH GRANIT.
- ELEVATIONS REFERENCED TO THE NORTH AMERICAN VERTICAL DATUM OF 1988.

**EVERSOURCE ENERGY**

LINE Z119, 115kV LINE  
STATE OWNED LAND CROSSING  
LONDONDERRY, NEW HAMPSHIRE  
EXHIBIT 3

T	1
DRAWN	JAM/TRC
ENGINEER	GEL/TRC
CHECKED	SEK/TRC
APPROVED	BRK/TRC
DATE	06/28/21

DWG REV	ISSUED TO PUC	EPN/DESCRIPTION	CONT/PE#	DATE	DRN	CHKD	APPR
1	ISSUED TO PUC			7/30/21	CTS	APS	APS

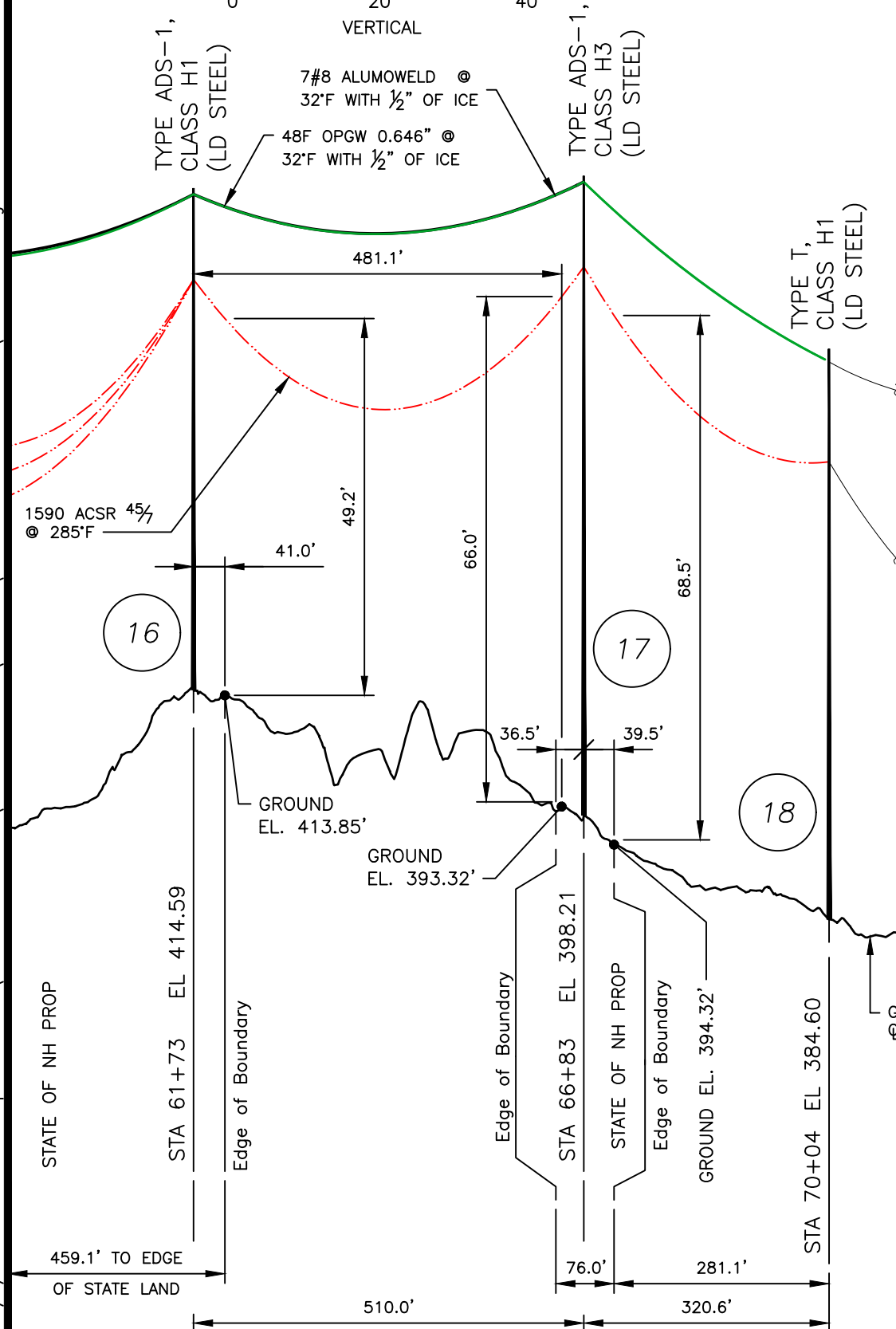
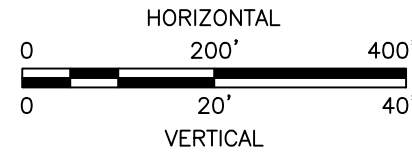
SCALE AS SHOWN FILE: Z11943501.DWG

DRAWING NO. Z11943501

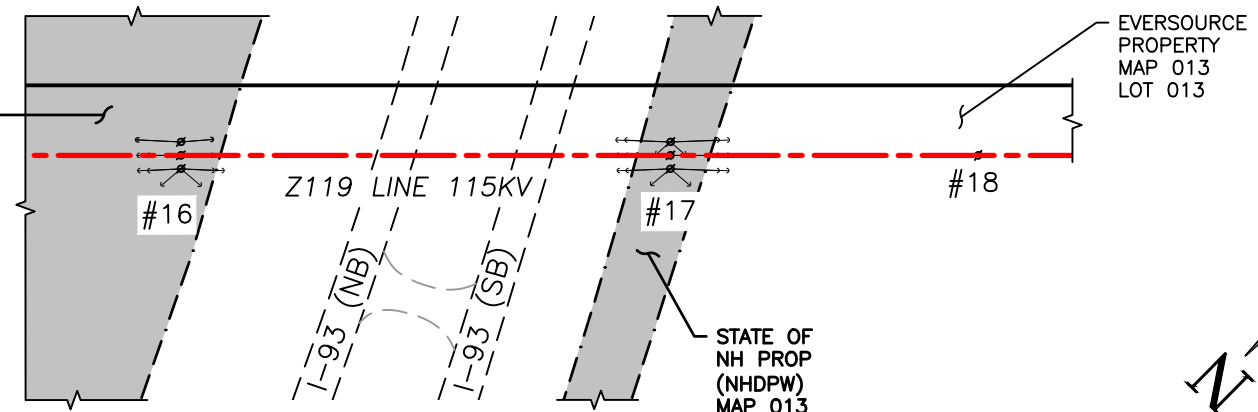


### PROFILE VIEW

SCALE: HORZ 1" = 200'  
VERT 1" = 20'



STATE OF NH PROP (NHDPW) MAP 013 LOT 057 EAA-10799

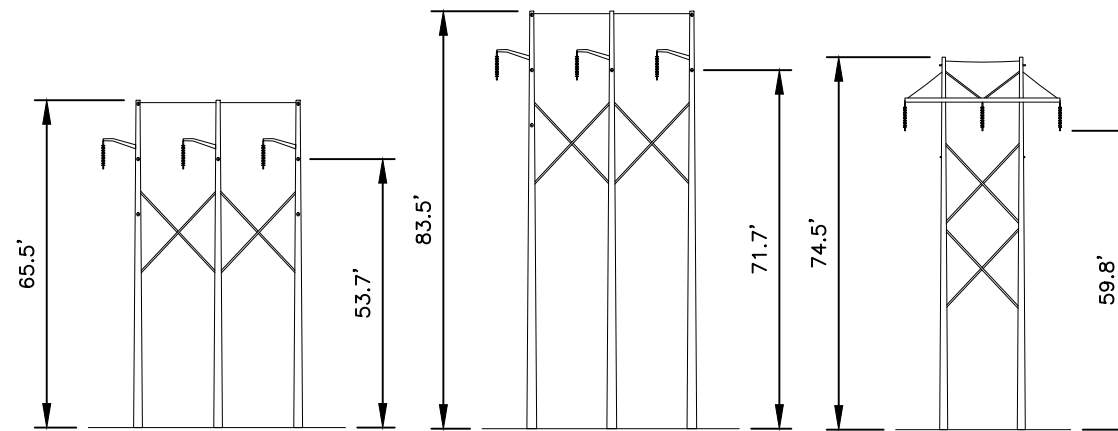


### PLAN VIEW

SCALE: 1" = 200'

### LEGEND:

- #17 STRUCTURE (WITH GUYS)
- STATE OF NEW HAMPSHIRE PROPERTY
- PROPERTY BOUNDARY
- Z119 LINE 115KV LINE, C OF CONSTRUCTION
- LIMITS OF EVERSOURCE RIGHT OF WAY



STRUCTURE 16  
TYPE ADS-1

STR 16: IS AN EVERSOURCE TYPE ADS-1, SINGLE CIRCUIT STEEL DEADEND STRUCTURE, HORIZONTAL CONFIG., GUYED.

STRUCTURE 17  
TYPE ADS-1

STR 17: IS AN EVERSOURCE TYPE ADS-1, SINGLE CIRCUIT STEEL DEADEND STRUCTURE, HORIZONTAL CONFIG., GUYED.

STRUCTURE 18  
TYPE T

STR 18: IS AN EVERSOURCE TYPE T, SINGLE CIRCUIT STEEL TANGENT STRUCTURE, HORIZONTAL CONFIG.

### STRUCTURE DETAILS

SCALE: NTS

### CABLE SCHEDULE

WIRE	QTY OF CABLES	DESCRIPTION	DESIGN CONDITIONS			
			MAX DESIGN TENSION (lb)	TEMP (°F)	ICE (in)	WIND (psf)
CONDUCTOR	3	ACSR, 1590 kcmil 45/7, LAPWING	10500	0	0.5	4
STATIC	1	48F OPGW .646"	5000	0	0.5	4
STATIC	1	7#8 ALUMOWELD	3250	0	0.5	4

STRUCTURE LOCATION		
STRUCTURE	LONGITUDE	LATITUDE
16	-71.35904758	42.79613459
17	-71.36040384	42.89515305
18	-71.36125638	42.89453603

NESC VERTICAL CLEARANCE (FT) FROM TABLE 232.1	
NATURE OF SURFACE UNDERNEATH WIRES, CONDUCTORS OR CABLES	115kV
OTHER AREAS TRAVERSED BY VEHICLES, SUCH AS CULTIVATED, GRAZING, FOREST, AND ORCHARD LANDS, INDUSTRIAL SITES, COMMERCIAL SITES, ETC.	20.1

### NOTES:

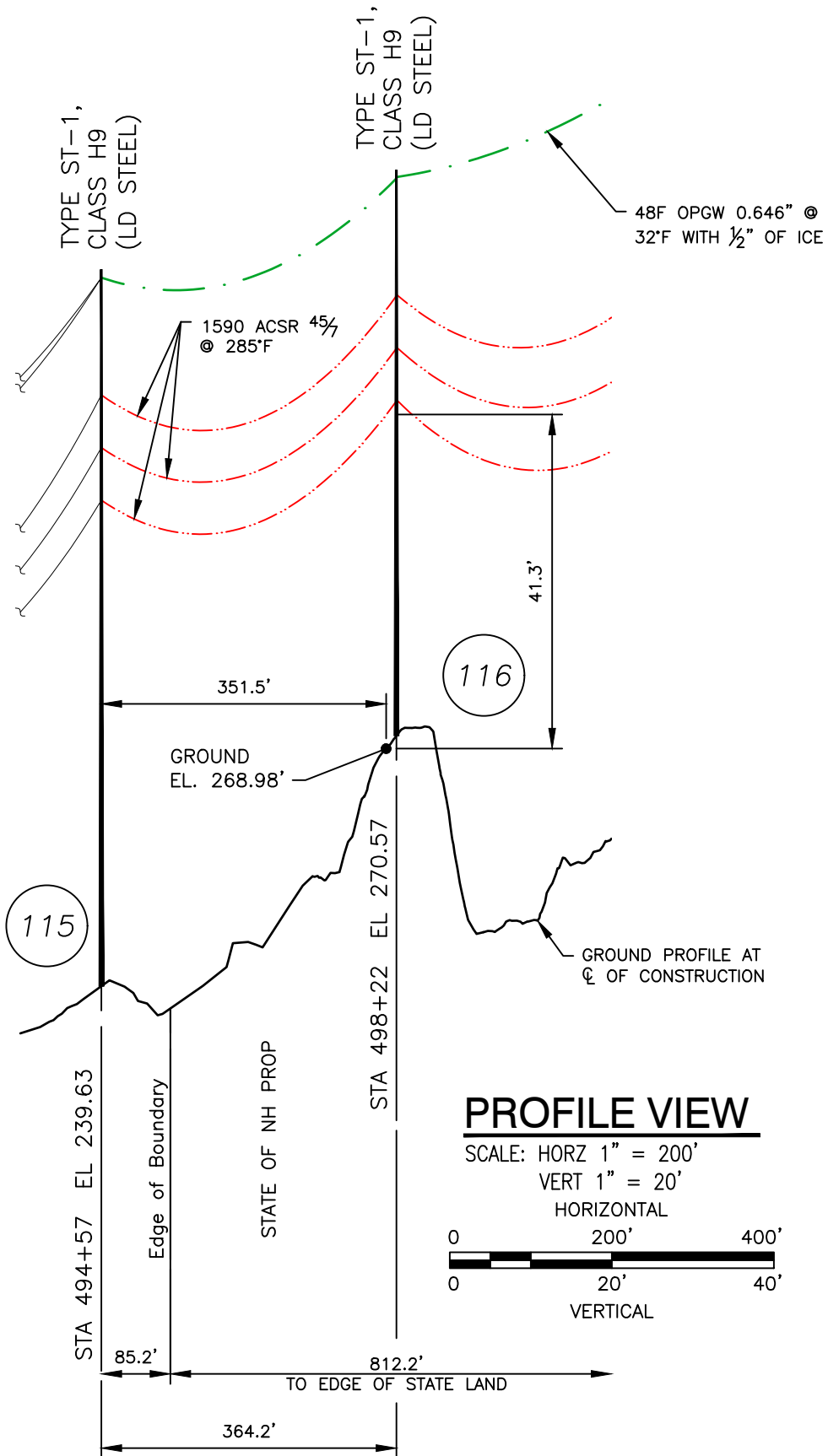
- PARCEL INFORMATION PROVIDED BY NH GRANIT.
- ELEVATIONS REFERENCED TO THE NORTH AMERICAN VERTICAL DATUM OF 1988.

**EVERSOURCE ENERGY**

LINE Z119, 115kV LINE  
STATE OWNED LAND CROSSING  
LONDONDERRY, NEW HAMPSHIRE  
EXHIBIT 4

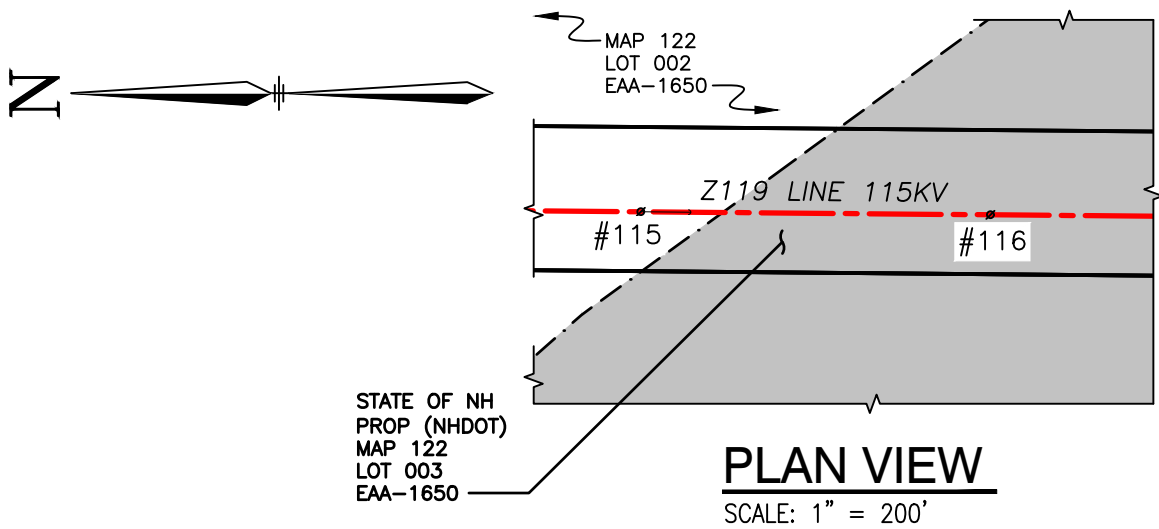
T	1
DRAWN	JAM/TRC
ENGINEER	GEL/TRC
CHECKED	SEK/TRC
APPROVED	BRK/TRC
DATE	06/28/21

DWG REV	ISSUED TO PUC	EPN/DESCRIPTION	CONT/PE#	DATE	DRN	CHKD	APR	SCALE	FILE: Z11943501.DWG	DRAWING NO. Z11943501
1	ISSUED TO PUC			7/30/21	CTS	APS	APS	AS SHOWN		



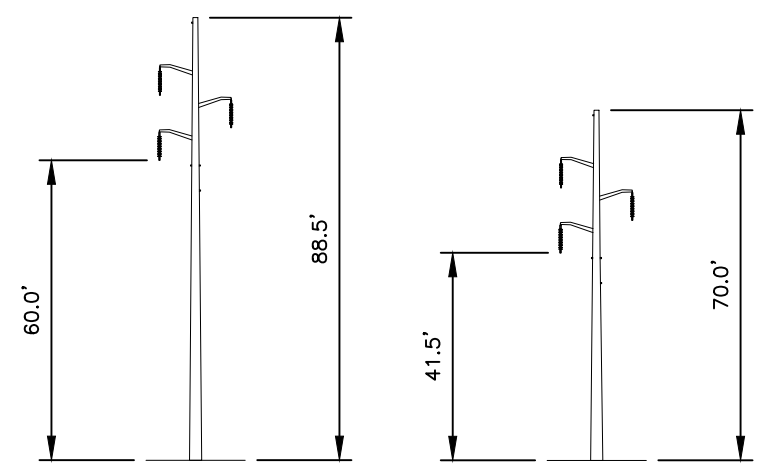
**PROFILE VIEW**

SCALE: HORZ 1" = 200'  
 VERT 1" = 20'  
 HORIZONTAL  
 VERTICAL



**PLAN VIEW**

SCALE: 1" = 200'



**STRUCTURE 115**  
 TYPE ST-1  
 STR 115: IS AN EVERSOURCE TYPE ST-1, SINGLE CIRCUIT TANGENT STEEL STRUCTURE, DELTA CONFIG., GUYED

**STRUCTURE 116**  
 TYPE ST-1  
 STR 116: IS AN EVERSOURCE TYPE ST-1, SINGLE CIRCUIT TANGENT STEEL STRUCTURE, DELTA CONFIG.

**STRUCTURE DETAILS**

SCALE: NTS

CABLE SCHEDULE						
WIRE	QTY OF CABLES	DESCRIPTION	DESIGN CONDITIONS			
			MAX DESIGN TENSION (lb)	TEMP (°F)	ICE (in)	WIND (psf)
CONDUCTOR	3	ACSR, 1590 kcmil 45/7, LAPWING	11000	0	0.5	4
STATIC	1	48F OPGW .646"	5000	0	0.5	4

**LEGEND:**

- ⊘ #115 STRUCTURE
- STATE OF NEW HAMPSHIRE PROPERTY
- PROPERTY BOUNDARY
- Z119 LINE 115KV
- LINE, C OF CONSTRUCTION
- LIMITS OF EVERSOURCE RIGHT OF WAY

STRUCTURE LOCATION		
STRUCTURE	LONGITUDE	LATITUDE
115	-71.41869954	42.80071501
116	-71.41871529	42.79971588

NESC VERTICAL CLEARANCE (FT) FROM TABLE 232.1	
NATURE OF SURFACE UNDERNEATH WIRES, CONDUCTORS OR CABLES	115kV
OTHER AREAS TRAVERSED BY VEHICLES, SUCH AS CULTIVATED, GRAZING, FOREST, AND ORCHARD LANDS, INDUSTRIAL SITES, COMMERCIAL SITES, ETC.	20.1

**NOTES:**

1. PARCEL INFORMATION PROVIDED BY NH GRANIT.
2. ELEVATIONS REFERENCED TO THE NORTH AMERICAN VERTICAL DATUM OF 1988.

EVERSOURCE ENERGY

LINE Z119, 115kV LINE  
STATE OWNED LAND CROSSING  
HUDSON, NEW HAMPSHIRE  
EXHIBIT 5

SCALE AS SHOWN	FILE: Z11943502.DWG IMAGE:	DRAWING NO. <b>Z11943502</b>
-------------------	-------------------------------	---------------------------------

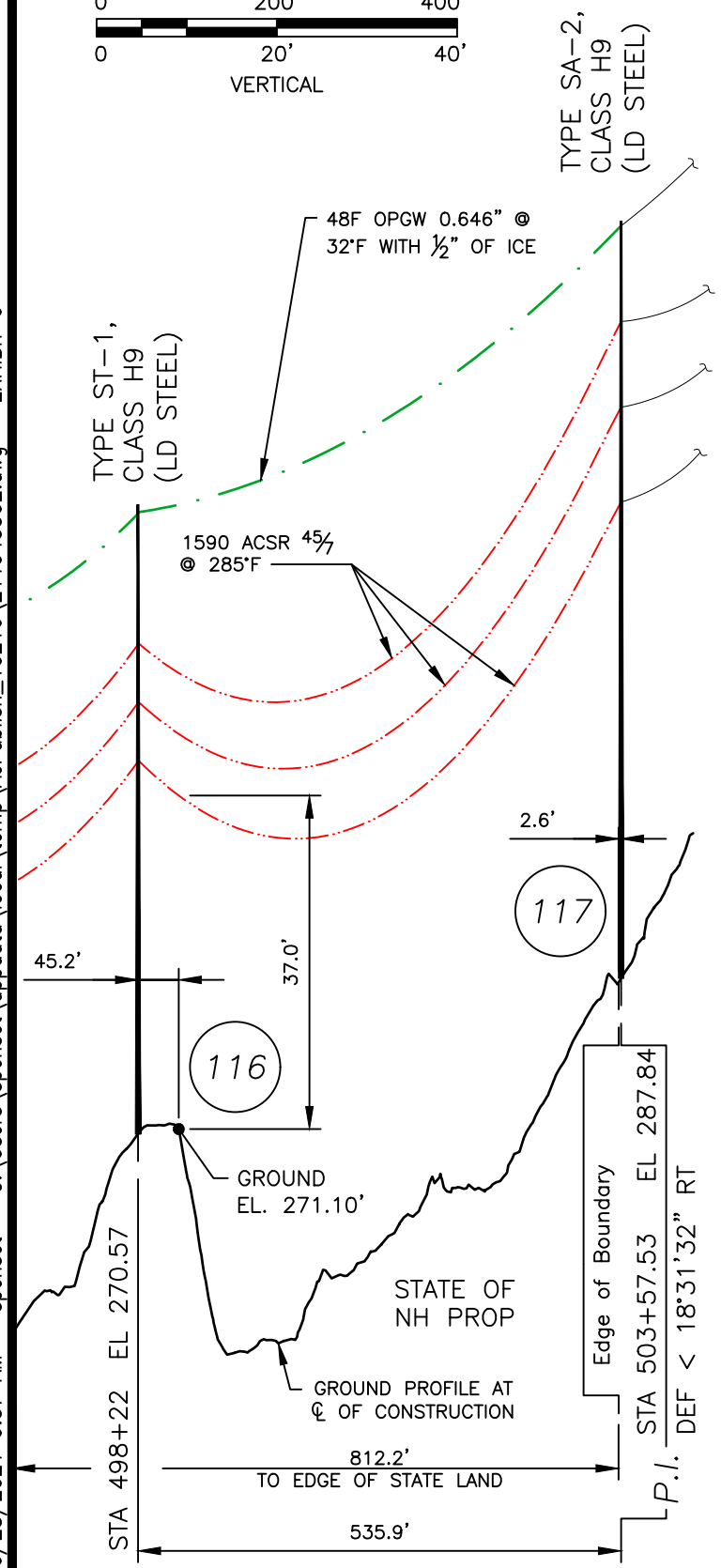
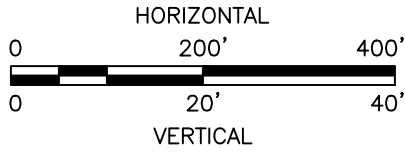
DWG REV	ISSUED TO PUC	EPN/DESCRIPTION	CONT/PE#	DATE	DRN	CHKD	APPR
1	ISSUED TO PUC			7/30/21	CTS	APS	APS

ES VER: 12/2016

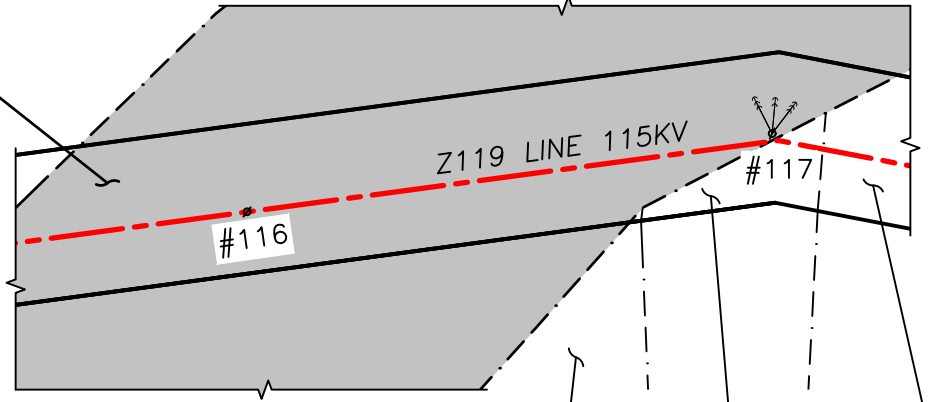
6/28/2021 9:57 AM - spensct - C:\Users\spensct\appdata\local\temp\AcPublish\_10216\Z11943502.dwg - EXHIBIT 6

### PROFILE VIEW

SCALE: HORZ 1" = 200'  
VERT 1" = 20'

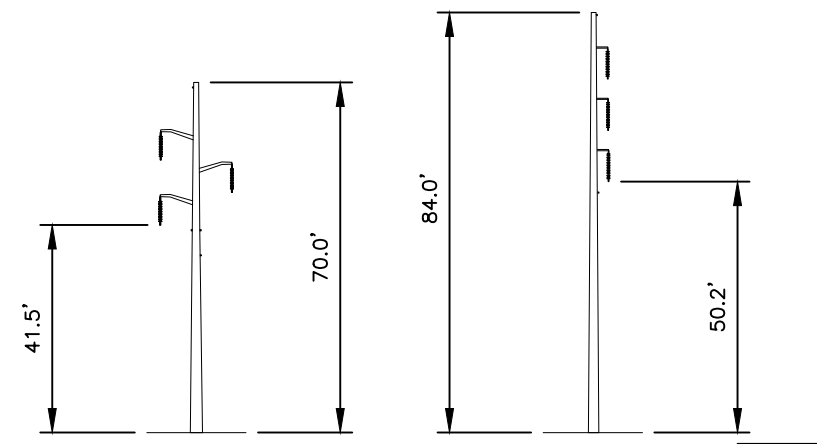


STATE OF NH PROP (NHDOT) MAP 122 LOT 003 EAA-1650



### PLAN VIEW

SCALE: 1" = 200'



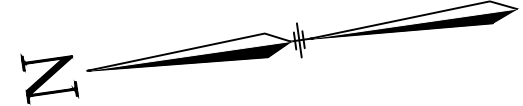
**STRUCTURE 116**  
TYPE ST-1  
STR 116: IS AN EVERSOURCE TYPE ST-1, SINGLE CIRCUIT TANGENT STEEL STRUCTURE, DELTA CONFIG.

**STRUCTURE 117**  
TYPE SA-2  
STR 117: IS AN EVERSOURCE TYPE SA-2, SINGLE CIRCUIT ANGLE STEEL STRUCTURE, VERTICAL CONFIG., GUYED.

### STRUCTURE DETAILS

SCALE: NTS

CABLE SCHEDULE						
WIRE	QTY OF CABLES	DESCRIPTION	DESIGN CONDITIONS			
			MAX DESIGN TENSION (lb)	TEMP (°F)	ICE (in)	WIND (psf)
CONDUCTOR	3	ACSR, 1590 kcmil 45/7, LAPWING	11000	0	0.5	4
STATIC	1	48F OPGW .646"	5000	0	0.5	4



### LEGEND:

- #117 STRUCTURE (WITH GUYS)
- STATE OF NEW HAMPSHIRE PROPERTY
- PROPERTY BOUNDARY
- Z119 LINE 115KV LINE, C OF CONSTRUCTION
- LIMITS OF EVERSOURCE RIGHT OF WAY

STRUCTURE LOCATION		
STRUCTURE	LONGITUDE	LATITUDE
116	-71.41871529	42.79971588
117	-71.41871010	42.79824522

NESC VERTICAL CLEARANCE (FT) FROM TABLE 232.1	
NATURE OF SURFACE UNDERNEATH WIRES, CONDUCTORS OR CABLES	115kV
OTHER AREAS TRAVERSED BY VEHICLES, SUCH AS CULTIVATED, GRAZING, FOREST, AND ORCHARD LANDS, INDUSTRIAL SITES, COMMERCIAL SITES, ETC.	20.1

### NOTES:

- PARCEL INFORMATION PROVIDED BY NH GRANIT.
- ELEVATIONS REFERENCED TO THE NORTH AMERICAN VERTICAL DATUM OF 1988.

T	1
DRAWN	JAM/TRC
ENGINEER	GEL/TRC
CHECKED	SEK/TRC
APPROVED	BRK/TRC
DATE	06/28/21

**LINE Z119, 115kV LINE  
STATE OWNED LAND CROSSING  
HUDSON, NEW HAMPSHIRE  
EXHIBIT 6**

SCALE AS SHOWN	FILE: Z11943502.DWG IMAGE:	DRAWING NO. <b>Z11943502</b>	
-------------------	-------------------------------	---------------------------------	--

DWG REV	ISSUED TO PUC	EPN/DESCRIPTION	CONT/PE#	DATE	DRN	CHKD	APPR
1	ISSUED TO PUC			7/30/21	CTS	APS	APS