



**LEGEND:**

B112 LINE:   
 B112 STR: 

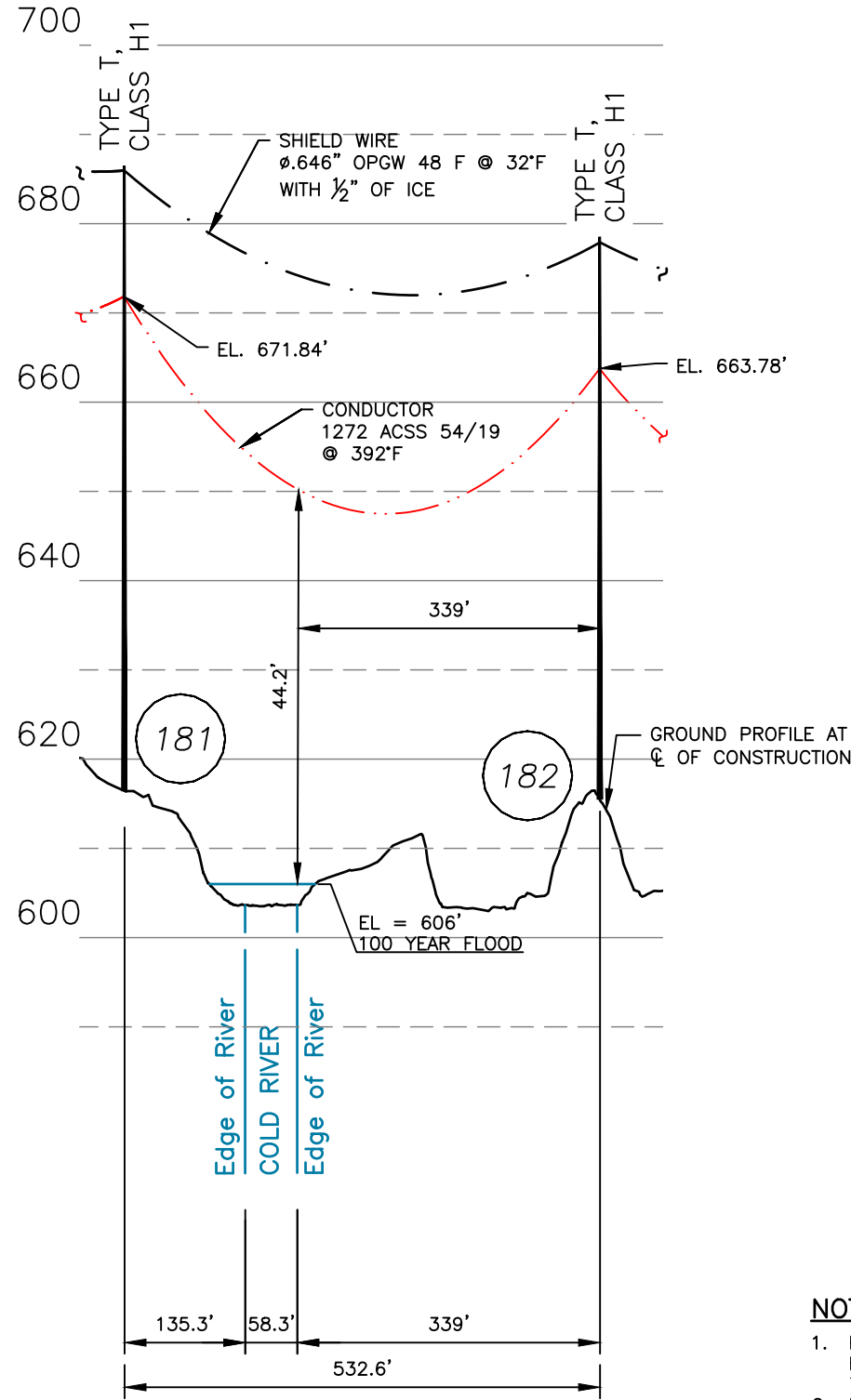


B112, 115kV LINE  
 STATE OWNED LAND & PUBLIC WATER CROSSING  
 SANDWICH, TAMWORTH, NEW HAMPSHIRE  
 EXHIBIT 1

T	0
DRAWN NEB	
ENGINEER CRP	
CHECKED JJD	
APPROVED CRP	
DATE 2/21/22	

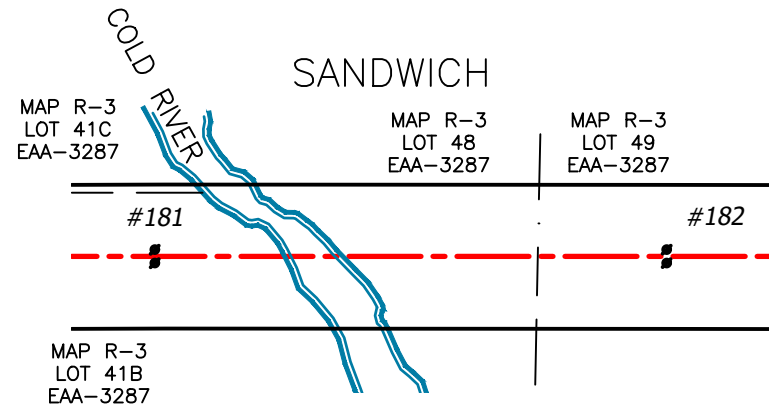
DWG REV	EPN/DESCRIPTION	CONT/PE#	DATE	DRN	CHKD	APPR
0	ISSUE TO DOE		9/19/22	NEB	JJD	CRP

SCALE 1" = 5500'	FILE: B11243900.DWG IMAGE:	DRAWING NO. B11243900
---------------------	-------------------------------	--------------------------



**PROFILE VIEW**

SCALE: HORZ 1" = 200'  
VERT 1" = 20'



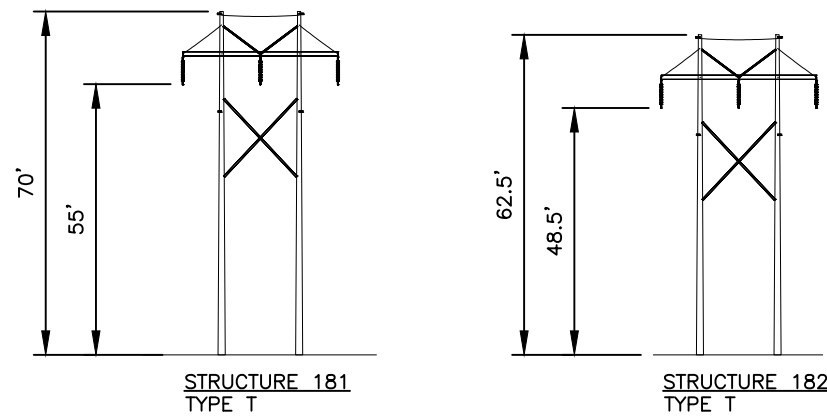
**PLAN VIEW**

SCALE: 1" = 200'



**LEGEND:**

- #181 STRUCTURE
- B112 LINE 115KV LINE, C OF CONSTRUCTION
- LIMITS OF EVERSOURCE RIGHT OF WAY
- WATERBODY
- PROPERTY BOUNDARY



**STRUCTURE DETAIL**

SCALE: NTS

**NOTES:**

1. PARCEL DATA DIGITIZED AND ORIENTATED WITH EVERSOURCE RIGHT OF WAY AND WATERBODY FROM TOWN OF SANDWICH TAX MAP R-3.
2. ELEVATIONS REFERENCED TO THE NORTH AMERICAN VERTICAL DATUM OF 1988.
3. THE 100 YEAR FLOOD ELEVATION FROM THE FEMA FLOOD MAP SERVICE CENTER, NATIONAL FLOOD HAZARD LAYER FIRMETTE, 03/19/2013 IS A ZONE A. THE ELEVATION WAS DEVELOPED THROUGH CONTOUR INTERPOLATION AS DEFINED IN THE FEMA APPROXIMATE ZONE A AREAS, A GUIDE FOR OBTAINING AND DEVELOPING BASE (100 YEAR) FLOOD ELEVATIONS, SECTION V. DEVELOPING BASE (100 YEAR) FLOOD ELEVATIONS.

STRUCTURE LOCATION		
STRUCTURE	LONGITUDE	LATITUDE
181	-71.35320160	43.84416526
182	-71.35119021	43.84403621

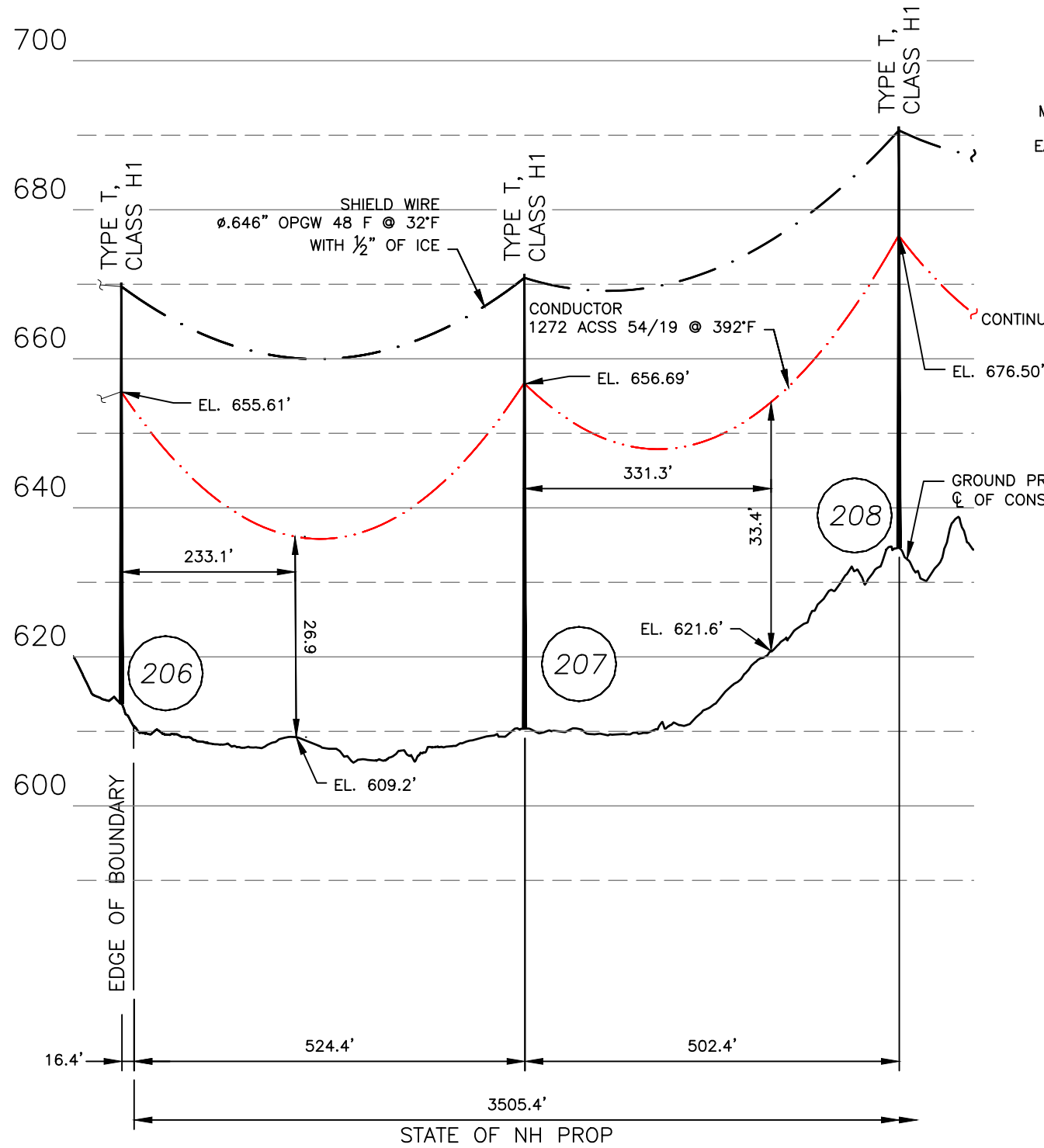
NESC VERTICAL CLEARANCE (FT) FROM TABLE 232.1, C2-2012	
NATURE OF SURFACE UNDERNEATH WIRES, CONDUCTORS OR CABLES	115kV
WATER AREAS NOT SUITABLE FOR SAIL BOATING OR WHERE SAIL BOATING IS PROHIBITED	18.6

CABLE SCHEDULE						
WIRE	QTY OF CABLES	DESCRIPTION	DESIGN CONDITIONS			
			MAX DESIGN TENSION (lb)	TEMP (°F)	ICE (in)	WIND (psf)
CONDUCTOR	3	ACSS, 1272 kcmil 54/19, PHEASANT	10000	0	0.5	4
OPGW	2	48F 0.646", AFL DNO-11852	5000	0	0.5	4

<p><b>B112, 115kV LINE COLD RIVER CROSSING SANDWICH, NEW HAMPSHIRE EXHIBIT 2</b></p>	T 0
	DRAWN NEB
	ENGINEER CRP
	CHECKED JJD
	APPROVED CRP
DATE 2/21/22	DRAWING NO. B11243900

DWG REV	ISSUE TO DOE	EPN/DESCRIPTION	CONT/PE#	DATE	DRN	CHKD	APPR
0	ISSUE TO DOE			9/19/22	NEB	JJD	CRP

SCALE AS SHOWN	FILE: B11243900.DWG IMAGE:	DRAWING NO. B11243900
-------------------	-------------------------------	--------------------------



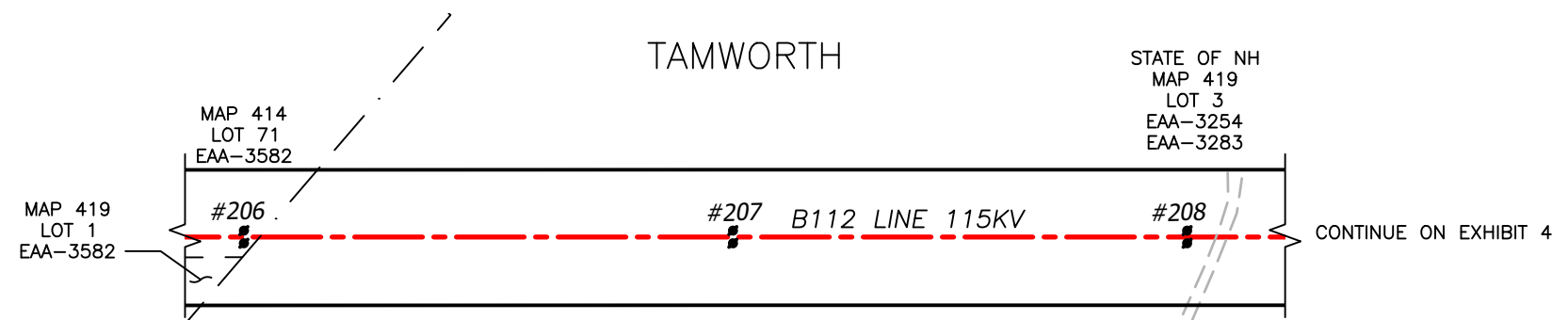
**PROFILE VIEW**

SCALE: HORZ 1" = 200'  
VERT 1" = 20'



**NOTES:**

1. PARCEL INFORMATION PROVIDED BY NH GRANIT.
2. ELEVATIONS REFERENCED TO THE NORTH AMERICAN VERTICAL DATUM OF 1988.



**PLAN VIEW**

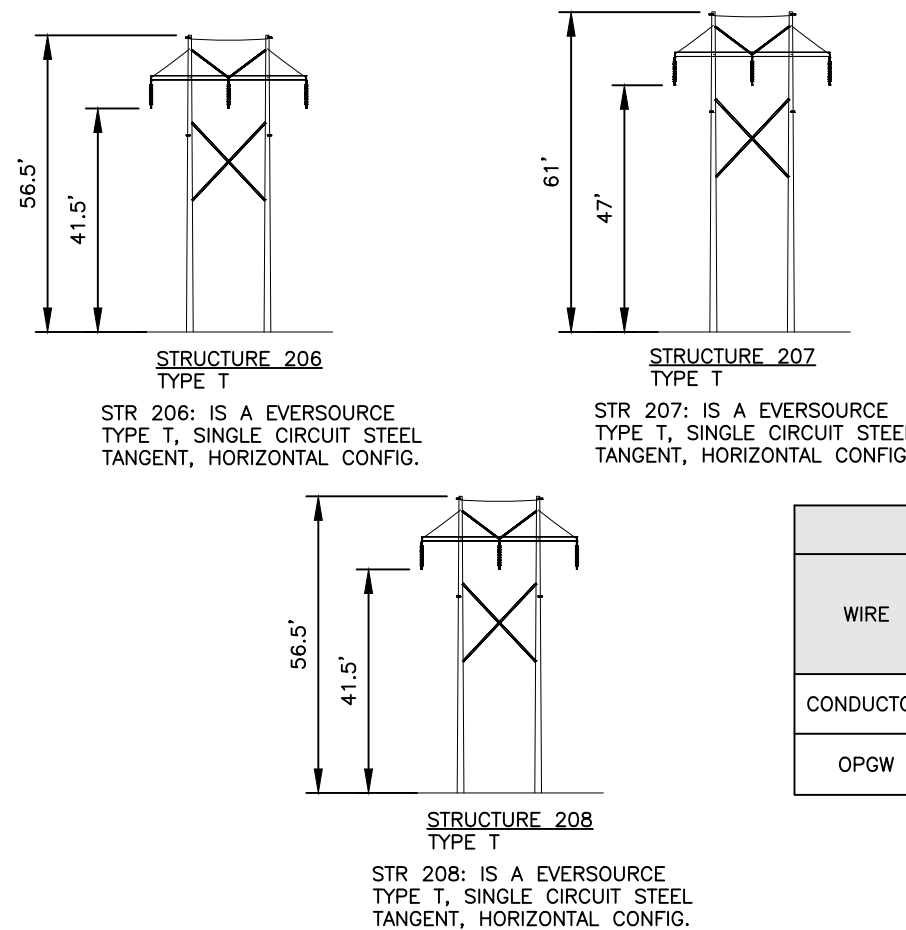
SCALE: 1" = 200'

**LEGEND:**

- #207 STRUCTURE
- PROPERTY BOUNDARY
- B112 LINE 115KV LINE, C OF CONSTRUCTION
- LIMITS OF EVERSOURCE RIGHT OF WAY
- TRAIL

**STRUCTURE DETAIL**

SCALE: NTS



STRUCTURE LOCATION		
STRUCTURE	LONGITUDE	LATITUDE
206	-71.31298795	43.83656430
207	-71.31134496	43.83567753
208	-71.30981893	43.83485385

NESC VERTICAL CLEARANCE (FT) FROM TABLE 232.1, C2-2012	
NATURE OF SURFACE UNDERNEATH WIRES, CONDUCTORS OR CABLES	115kV
OTHER AREAS TRAVERSED BY VEHICLES SUCH AS CULTIVED, GRAZING, FOREST AND ORCHARD LANDS, INDUSTRIAL SITES, COMMERCIAL SITES, ECT.	20.1

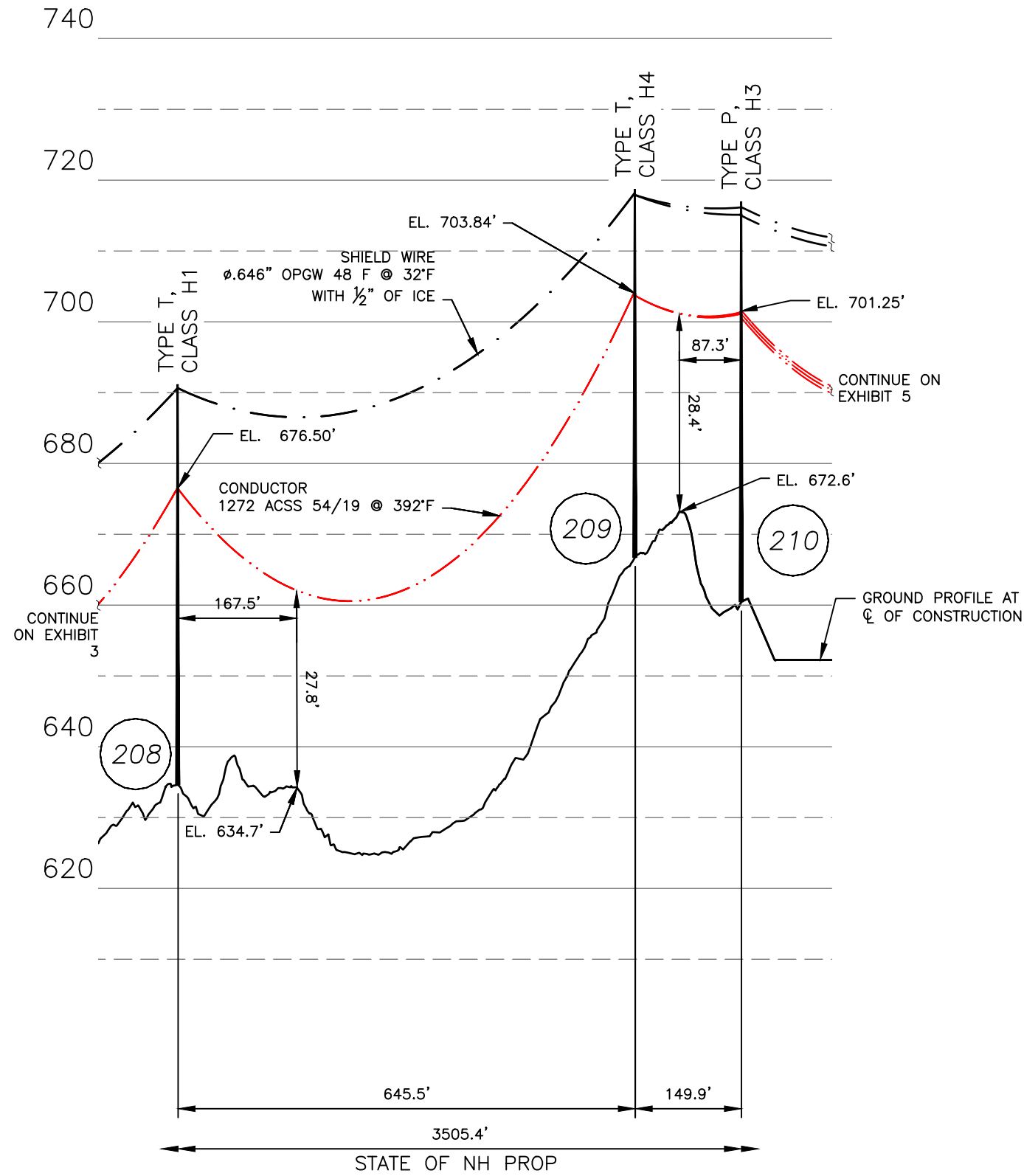
CABLE SCHEDULE						
WIRE	QTY OF CABLES	DESCRIPTION	DESIGN CONDITIONS			
			MAX DESIGN TENSION (lb)	TEMP (°F)	ICE (in)	WIND (psf)
CONDUCTOR	3	ACSS, 1272 kcmil 54/19, PHEASANT	10000	0	0.5	4
OPGW	2	48F 0.646", AFL DNO-11852	5000	0	0.5	4

EVERSOURCE ENERGY

B112, 115kV LINE  
STATE OWNED LAND CROSSING  
TAMWORTH, NEW HAMPSHIRE  
EXHIBIT 3

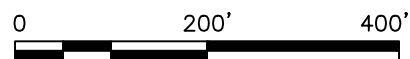
DRAWN NEB	T   0
ENGINEER CRP	
CHECKED JJD	
APPROVED CRP	
DATE 2/21/22	

DWG REV	ISSUE TO DOE EPN/DESCRIPTION	CONT/PE#	DATE	DRN	CHKD	CRP	APPR
0	ISSUE TO DOE		9/19/22	NEB	JJD	CRP	



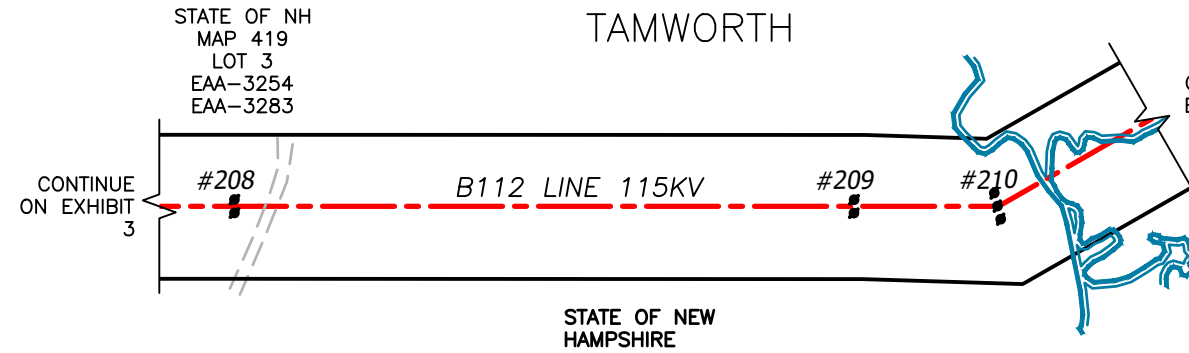
**PROFILE VIEW**

SCALE: HORZ 1" = 200'  
VERT 1" = 20'



**NOTES:**

1. PARCEL INFORMATION PROVIDED BY NH GRANIT.
2. ELEVATIONS REFERENCED TO THE NORTH AMERICAN VERTICAL DATUM OF 1988.

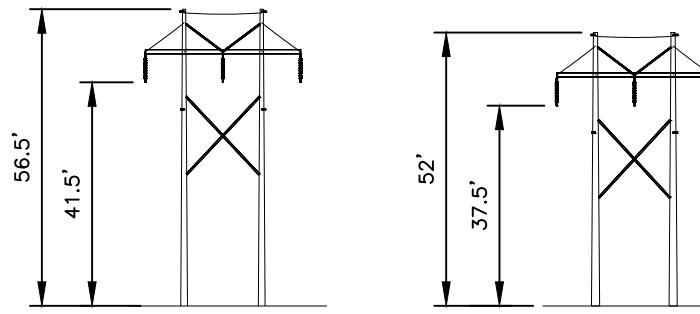


**PLAN VIEW**

SCALE: 1" = 200'

**LEGEND:**

- #208 STRUCTURE
- B112 LINE 115KV LINE, C OF CONSTRUCTION
- LIMITS OF EVERSOURCE RIGHT OF WAY
- WATER, STREAM
- TRAIL

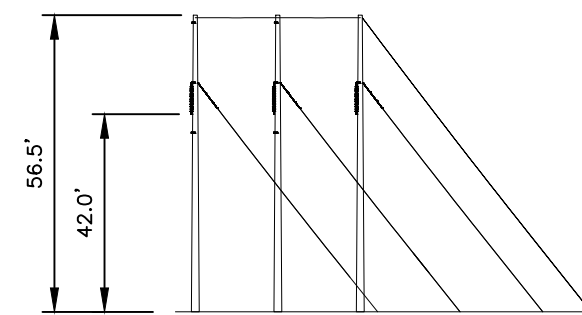


STRUCTURE 208  
TYPE T

STRUCTURE 209  
TYPE T

STR 208: IS A EVERSOURCE TYPE T, SINGLE CIRCUIT STEEL TANGENT, HORIZONTAL CONFIG.

STR 209: IS A EVERSOURCE TYPE T, SINGLE CIRCUIT STEEL TANGENT, HORIZONTAL CONFIG.



STRUCTURE 210  
TYPE P

STR 210: IS A EVERSOURCE TYPE P, SINGLE CIRCUIT STEEL RUNNING ANGLE, HORIZONTAL CONFIG.

**STRUCTURE DETAIL**

SCALE: NTS

STRUCTURE LOCATION		
STRUCTURE	LONGITUDE	LATITUDE
208	-71.30981893	43.83485385
209	-71.30785861	43.83379569
210	-71.30740292	43.83354970

NESC VERTICAL CLEARANCE (FT) FROM TABLE 232.1, C2-2012	
NATURE OF SURFACE UNDERNEATH WIRES, CONDUCTORS OR CABLES	115kV
OTHER AREAS TRAVERSED BY VEHICLES SUCH AS CULTIVED, GRAZING, FOREST AND ORCHARD LANDS, INDUSTRIAL SITES, COMMERCIAL SITES, ECT.	20.1

CABLE SCHEDULE						
WIRE	QTY OF CABLES	DESCRIPTION	DESIGN CONDITIONS			
			MAX DESIGN TENSION (lb)	TEMP (°F)	ICE (in)	WIND (psf)
CONDUCTOR	3	ACSS, 1272 kcmil 54/19, PHEASANT	10000	0	0.5	4
OPGW	2	48F 0.646", AFL DNO-11852	5000	0	0.5	4

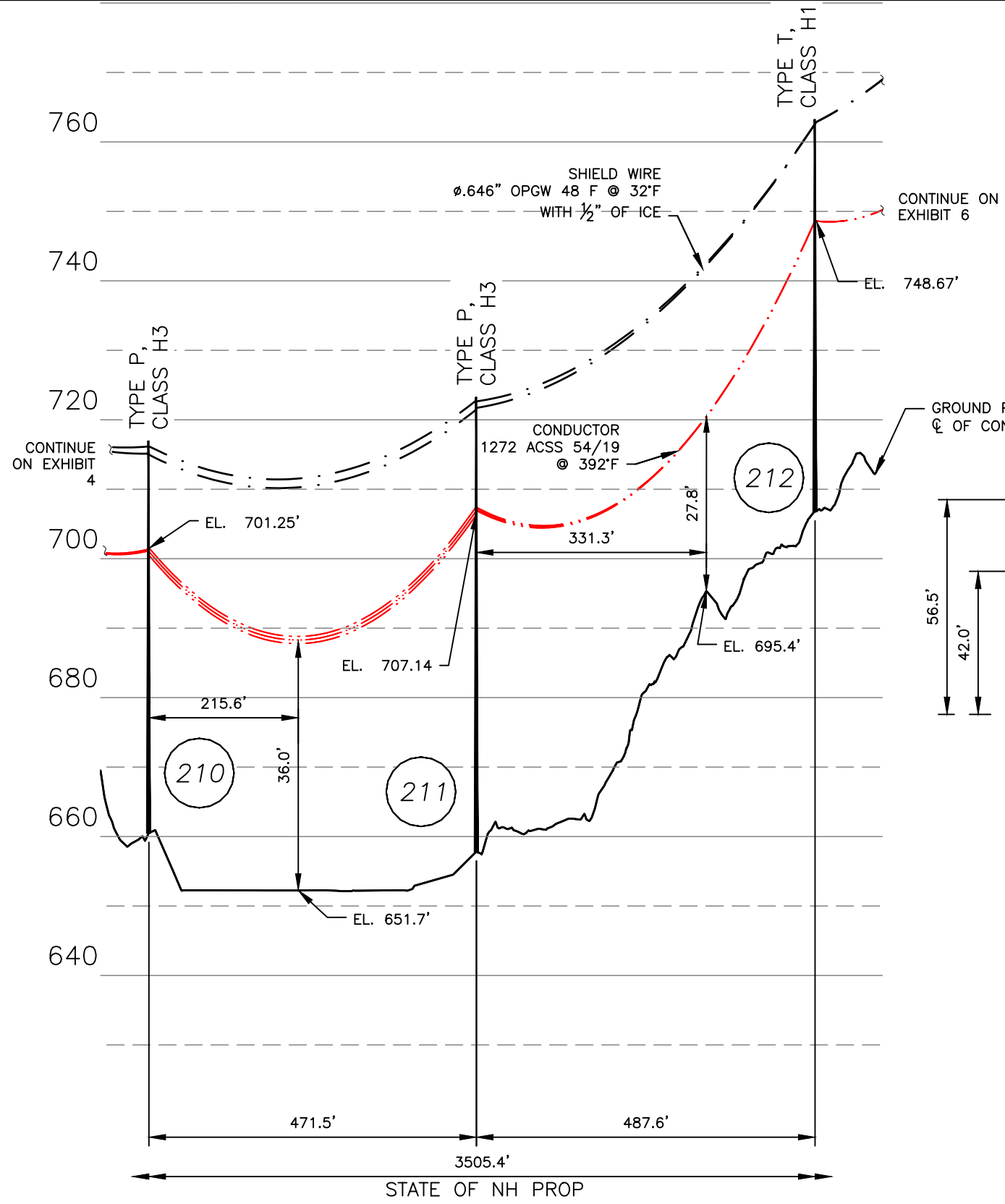
**EVERSOURCE ENERGY**

B112, 115kV LINE  
STATE OWNED LAND CROSSING  
TAMWORTH, NEW HAMPSHIRE  
EXHIBIT 4

DRAWN NEB	T 0
ENGINEER CRP	
CHECKED JJD	
APPROVED CRP	
DATE 2/21/22	

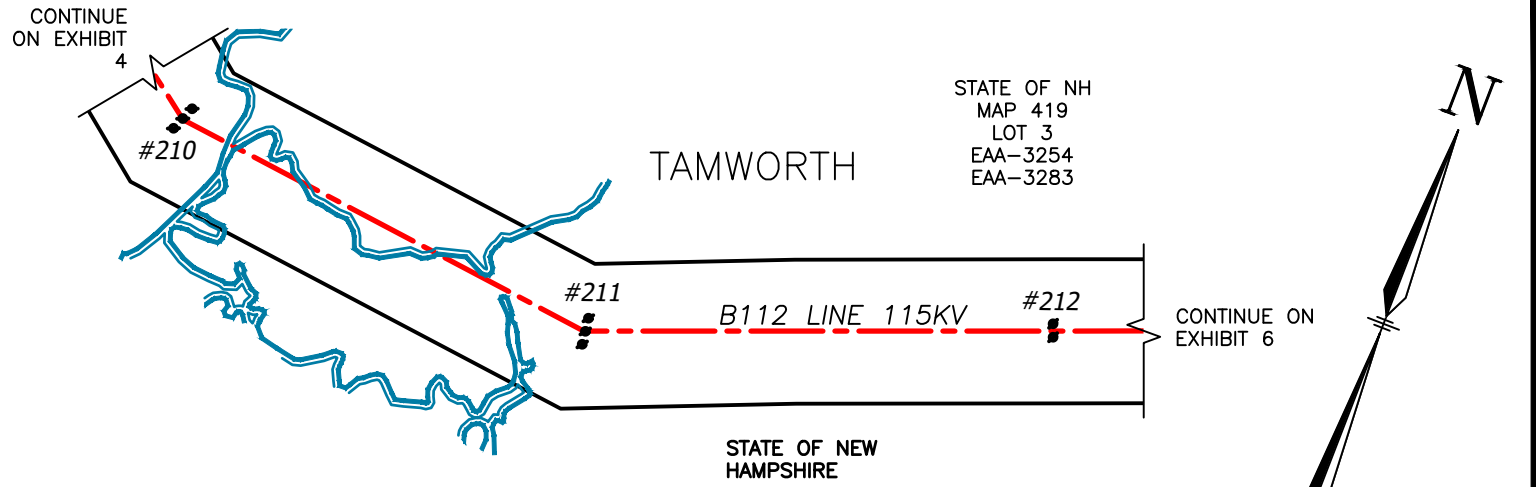
DWG REV	ISSUE TO DOE EPN/DESCRIPTION	CONT/PE#	DATE	DRN	CHKD	CRP	APPR
0			9/19/22	NEB	JJD	CRP	





**PROFILE VIEW**  
 SCALE: HORZ 1" = 200'  
 VERT 1" = 20'  
 0 200' 400'

- NOTES:**
1. PARCEL INFORMATION PROVIDED BY NH GRANIT.
  2. ELEVATIONS REFERENCED TO THE NORTH AMERICAN VERTICAL DATUM OF 1988.



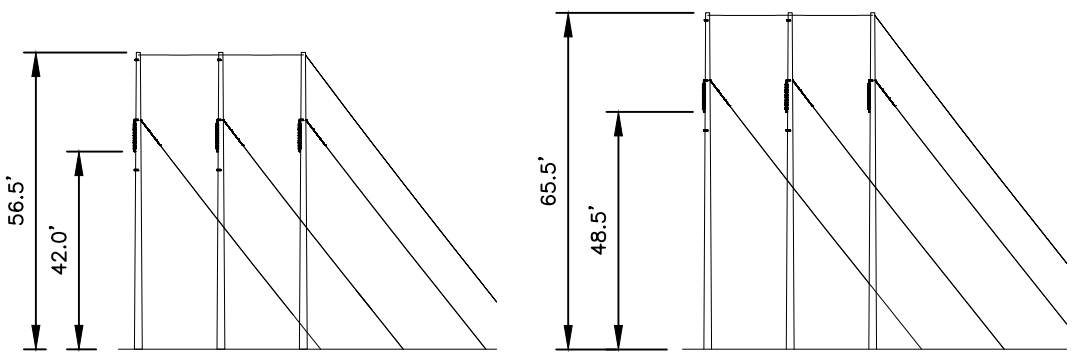
**PLAN VIEW**  
 SCALE: 1" = 200'

**LEGEND:**

- #210 STRUCTURE
- B112 LINE 115KV LINE, C OF CONSTRUCTION
- LIMITS OF EVERSOURCE RIGHT OF WAY
- WATER, STREAM

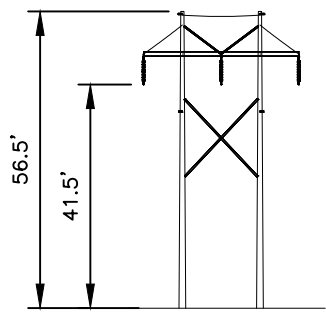
STRUCTURE LOCATION		
STRUCTURE	LONGITUDE	LATITUDE
210	-71.30740292	43.83354970
211	-71.30561947	43.83339195
212	-71.30389495	43.83386948

NESC VERTICAL CLEARANCE (FT) FROM TABLE 232.1, C2-2012	
NATURE OF SURFACE UNDERNEATH WIRES, CONDUCTORS OR CABLES	115kV
OTHER AREAS TRAVERSED BY VEHICLES SUCH AS CULTIVED, GRAZING, FOREST AND ORCHARD LANDS, INDUSTRIAL SITES, COMMERCIAL SITES, ECT.	20.1



**STRUCTURE 210 TYPE P**  
 STR 210: IS A EVERSOURCE TYPE P, SINGLE CIRCUIT STEEL RUNNING ANGLE, HORIZONTAL CONFIG.

**STRUCTURE 211 TYPE P**  
 STR 211: IS A EVERSOURCE TYPE P, SINGLE CIRCUIT STEEL RUNNING ANGLE, HORIZONTAL CONFIG.



**STRUCTURE 212 TYPE T**  
 STR 212: IS A EVERSOURCE TYPE T, SINGLE CIRCUIT STEEL TANGENT, HORIZONTAL CONFIG.

**STRUCTURE DETAIL**  
 SCALE: NTS

CABLE SCHEDULE						
WIRE	QTY OF CABLES	DESCRIPTION	DESIGN CONDITIONS			
			MAX DESIGN TENSION (lb)	TEMP (°F)	ICE (in)	WIND (psf)
CONDUCTOR	3	ACSS, 1272 kcmil 54/19, PHEASANT	10000	0	0.5	4
OPGW	2	48F 0.646", AFL DNO-11852	5000	0	0.5	4

**EVERSOURCE ENERGY**

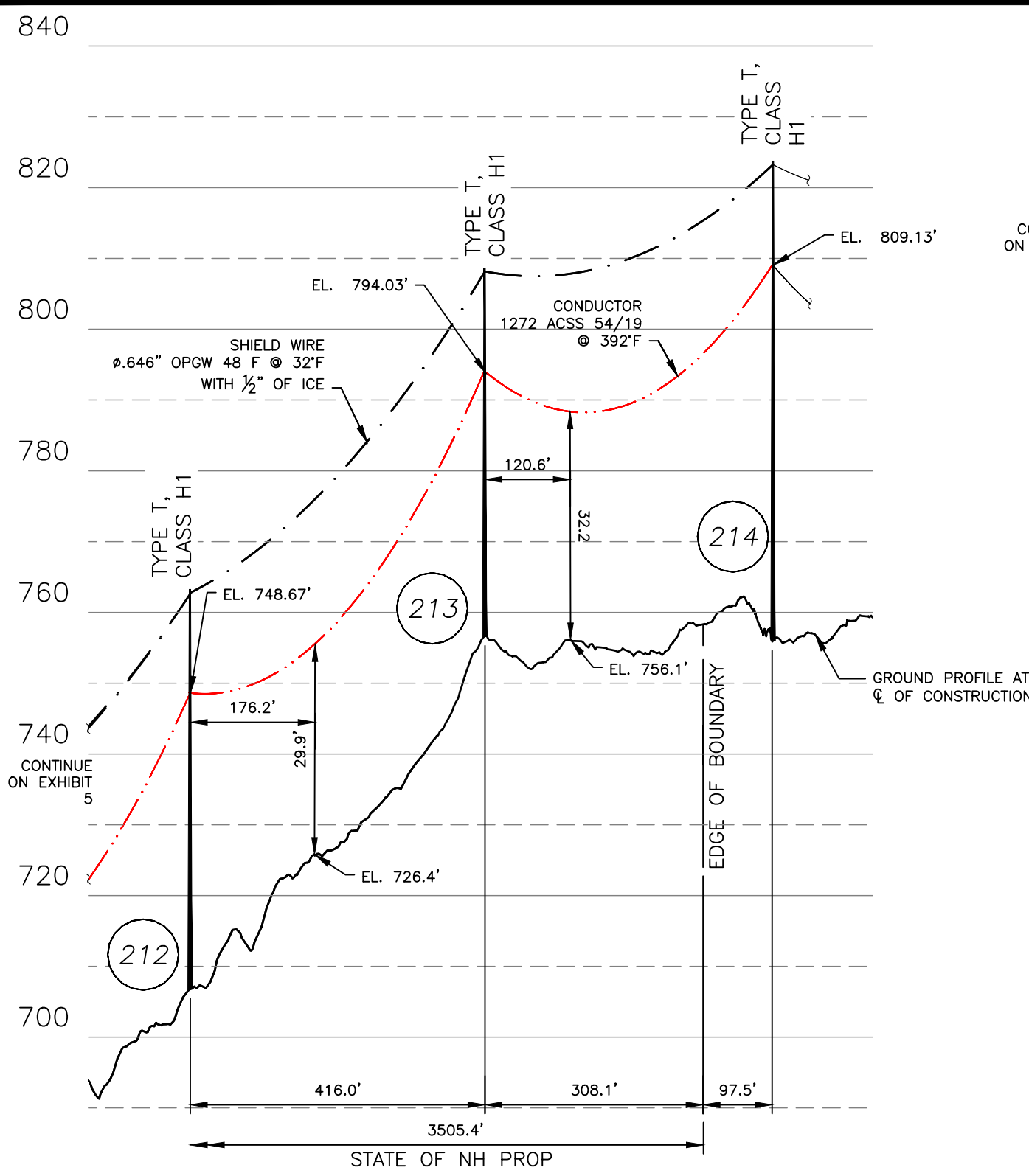
B112, 115kV LINE  
 STATE OWNED LAND CROSSING  
 TAMWORTH, NEW HAMPSHIRE  
 EXHIBIT 5

T	0
DRAWN	NEB
ENGINEER	CRP
CHECKED	JJD
APPROVED	CRP
DATE	2/21/22

SCALE: AS SHOWN  
 FILE: B11243500.DWG  
 DRAWING NO. B11243500

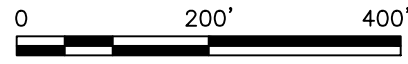
DWG REV	ISSUE TO DOE	EPN/DESCRIPTION	CONT/PE#	DATE	DRN	CHKD	CRP	APPR
0				9/19/22	NEB	JJD	CRP	

9/29/2022 10:27 AM - JoshD - C:\Users\NickB\appdata\local\temp\AcPublish\_16396\B11243500.dwg - EXHIBIT 6 (LAND CROSSING) ES VER: 12/2016



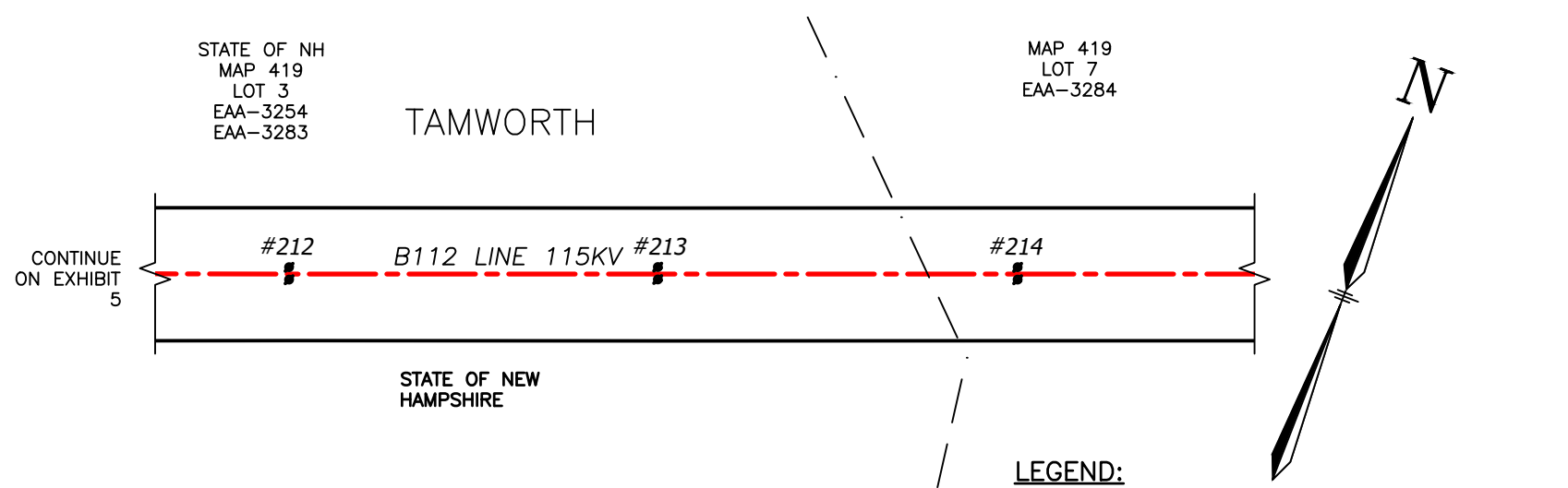
**PROFILE VIEW**

SCALE: HORZ 1" = 200'  
VERT 1" = 20'



**NOTES:**

1. PARCEL INFORMATION PROVIDED BY NH GRANIT.
2. ELEVATIONS REFERENCED TO THE NORTH AMERICAN VERTICAL DATUM OF 1988.

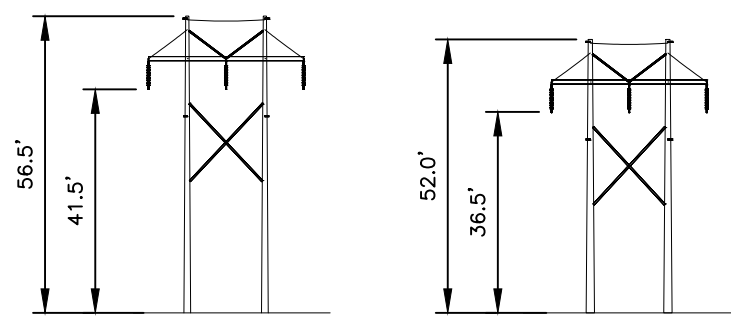


**PLAN VIEW**

SCALE: 1" = 200'

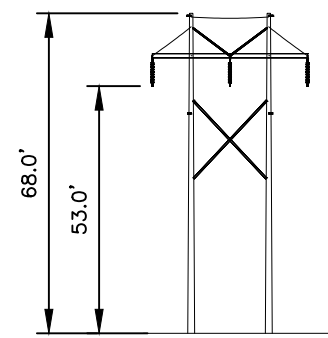
**LEGEND:**

- #214 STRUCTURE
- PROPERTY BOUNDARY
- B112 LINE 115KV LINE, C OF CONSTRUCTION
- LIMITS OF EVERSOURCE RIGHT OF WAY



**STRUCTURE 212**  
TYPE T  
STR 212: IS A EVERSOURCE TYPE T, SINGLE CIRCUIT STEEL TANGENT, HORIZONTAL CONFIG.

**STRUCTURE 213**  
TYPE T  
STR 213: IS A EVERSOURCE TYPE T, SINGLE CIRCUIT STEEL TANGENT, HORIZONTAL CONFIG.



**STRUCTURE 214**  
TYPE T  
STR 214: IS A EVERSOURCE TYPE T, SINGLE CIRCUIT STEEL TANGENT, HORIZONTAL CONFIG.

**STRUCTURE DETAIL**

SCALE: NTS

STRUCTURE LOCATION		
STRUCTURE	LONGITUDE	LATITUDE
212	-71.30389495	43.83386948
213	-71.30242253	43.83427717
214	-71.30098613	43.83467487

NESC VERTICAL CLEARANCE (FT) FROM TABLE 232.1, C2-2012	
NATURE OF SURFACE UNDERNEATH WIRES, CONDUCTORS OR CABLES	115kv
OTHER AREAS TRAVERSED BY VEHICLES SUCH AS CULTIVED, GRAZING, FOREST AND ORCHARD LANDS, INDUSTRIAL SITES, COMMERCIAL SITES, ECT.	20.1

CABLE SCHEDULE						
WIRE	QTY OF CABLES	DESCRIPTION	DESIGN CONDITIONS			
			MAX DESIGN TENSION (lb)	TEMP (°F)	ICE (in)	WIND (psf)
CONDUCTOR	3	ACSS, 1272 kcmil 54/19, PHEASANT	10000	0	0.5	4
OPGW	2	48F Ø0.646", AFL DNO-11852	5000	0	0.5	4

EVERSOURCE ENERGY

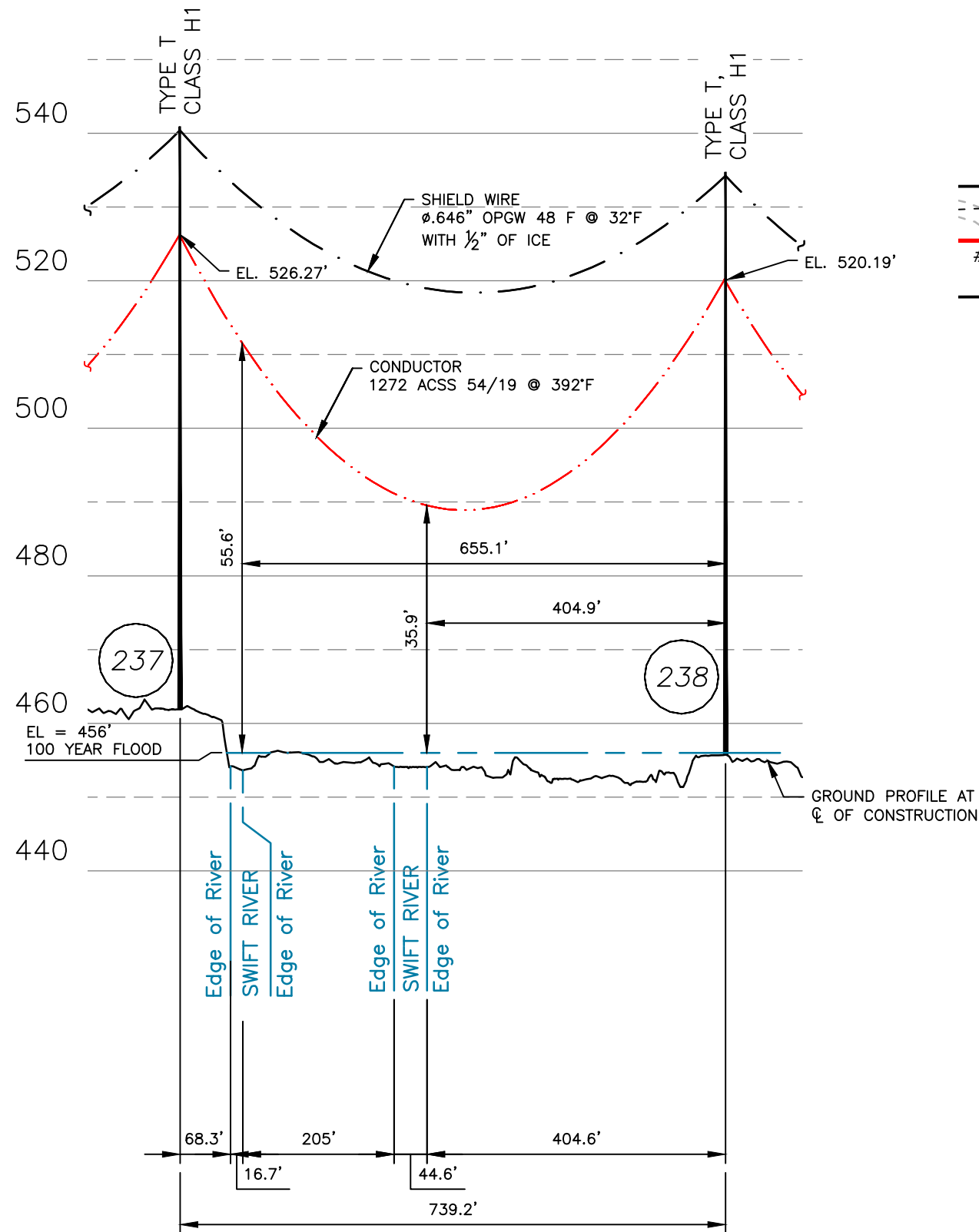
B112, 115kV LINE  
STATE OWNED LAND CROSSING  
TAMWORTH, NEW HAMPSHIRE  
EXHIBIT 6

DRAWN NEB	T   0
ENGINEER CRP	
CHECKED JJD	
APPROVED CRP	
DATE 2/21/22	

SCALE: AS SHOWN    FILE: B11243500.DWG    DRAWING NO. B11243500

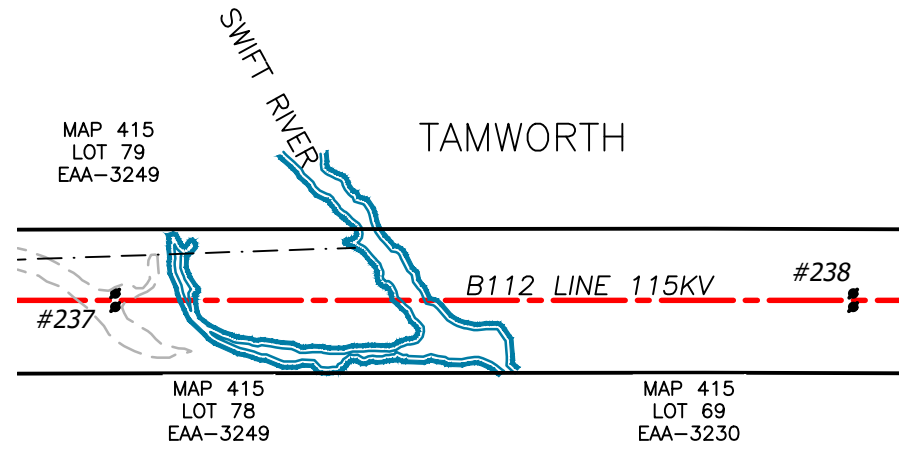
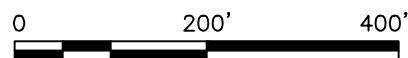
DWG REV	ISSUE TO DOE	EPN/DESCRIPTION	CONT/PE#	DATE	DRN	CHKD	CRP	APPR
0	ISSUE TO DOE			9/19/22	NEB	JJD	CRP	

9/29/2022 10:27 AM - JoshD - N:\Active Projects\02499\_ES\_B112\_Line\_Rebuild\06-Drafting\Wo...B11243901.dwg - EXHIBIT 7 (WATER CROSSINGS) VER: 12/2016



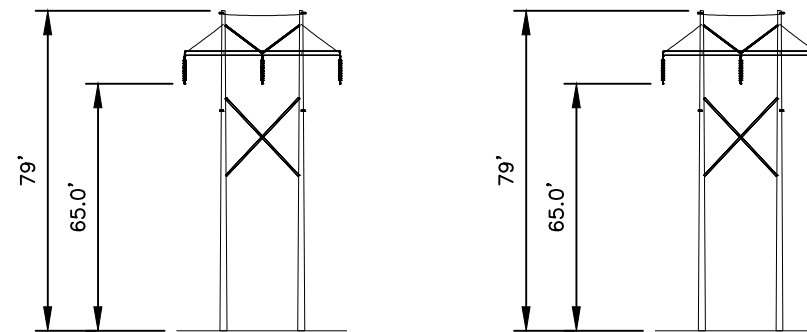
**PROFILE VIEW**

SCALE: HORZ 1" = 200'  
VERT 1" = 20'



**PLAN VIEW**

SCALE: 1" = 200'



STRUCTURE 237  
TYPE T

STR 237: IS A EVERSOURCE TYPE T, SINGLE CIRCUIT STEEL TANGENT, HORIZONTAL CONFIG.

STRUCTURE 238  
TYPE T

STR 238: IS A EVERSOURCE TYPE T, SINGLE CIRCUIT STEEL TANGENT, HORIZONTAL CONFIG.

**STRUCTURE DETAIL**

SCALE: NTS

**NOTES:**

1. PARCEL INFORMATION PROVIDED BY NH GRANIT.
2. ELEVATIONS REFERENCED TO THE NORTH AMERICAN VERTICAL DATUM OF 1988.
3. THE 100 YEAR FLOOD ELEVATION FROM THE FEMA FLOOD MAP SERVICE CENTER, NATIONAL FLOOD HAZARD LAYER FIRMETTE, 03/19/2013 IS A ZONE A. THE ELEVATION WAS DEVELOPED THROUGH CONTOUR INTERPOLATION AS DEFINED IN THE FEMA APPROXIMATE ZONE A AREAS, A GUIDE FOR OBTAINING AND DEVELOPING BASE (100 YEAR) FLOOD ELEVATIONS, SECTION V. DEVELOPING BASE (100 YEAR) FLOOD ELEVATIONS.

**LEGEND:**

- #237 STRUCTURE
- PROPERTY BOUNDARY
- B112 LINE 115KV LINE, C OF CONSTRUCTION
- LIMITS OF EVERSOURCE RIGHT OF WAY
- WATERBODY
- TRAIL

STRUCTURE LOCATION		
STRUCTURE	LONGITUDE	LATITUDE
237	-71.26159722	43.84443850
238	-71.25886054	43.84487626

NESC VERTICAL CLEARANCE (FT) FROM TABLE 232.1, C2-2012	
NATURE OF SURFACE UNDERNEATH WIRES, CONDUCTORS OR CABLES	115kV
WATER AREAS NOT SUITABLE FOR SAIL BOATING OR WHERE SAIL BOATING IS PROHIBITED	18.6

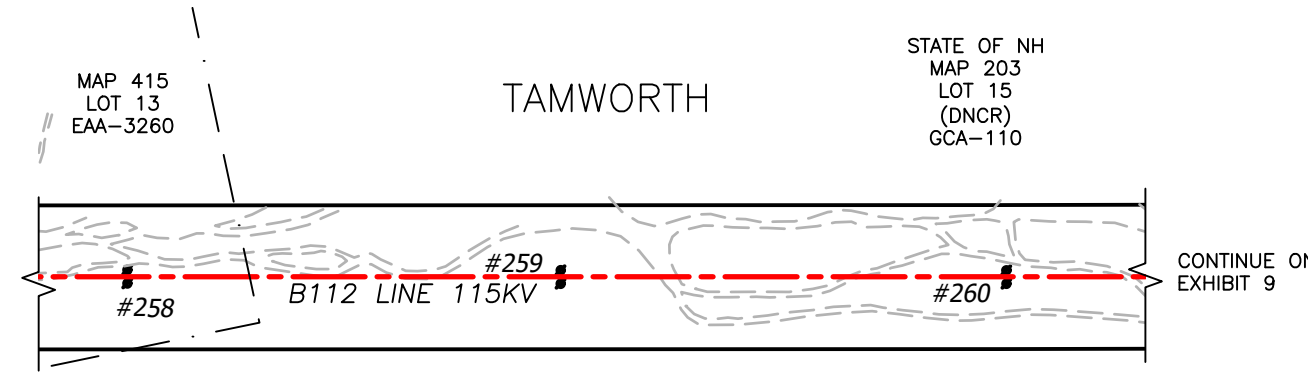
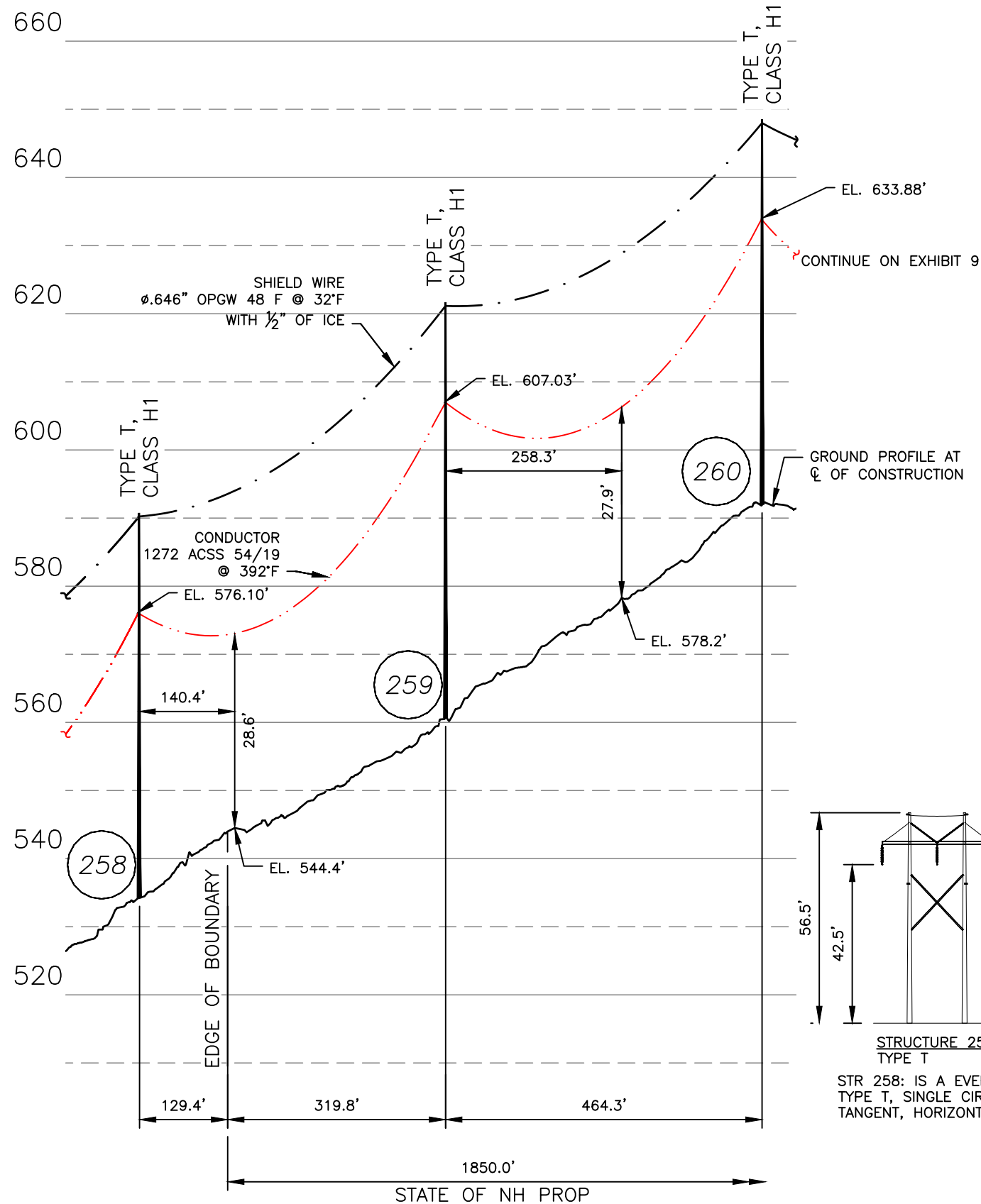
CABLE SCHEDULE						
WIRE	QTY OF CABLES	DESCRIPTION	DESIGN CONDITIONS			
			MAX DESIGN TENSION (lb)	TEMP (°F)	ICE (in)	WIND (psf)
CONDUCTOR	3	ACSS, 1272 kcmil 54/19, PHEASANT	10000	0	0.5	4
OPGW	2	48F 0.646", AFL DNO-11852	5000	0	0.5	4

EVERSOURCE ENERGY

B112, 115kV LINE  
SWIFT RIVER CROSSING  
TAMWORTH, NEW HAMPSHIRE  
EXHIBIT 7

DRAWN NEB	T 0
ENGINEER CRP	
CHECKED JJD	
APPROVED CRP	
DATE 2/21/22	

DWG REV	ISSUE TO DOE	EPN/DESCRIPTION	CONT/PE#	DATE	DRN	CHKD	CRP	APPR
0				9/19/22	NEB	JJD	CRP	

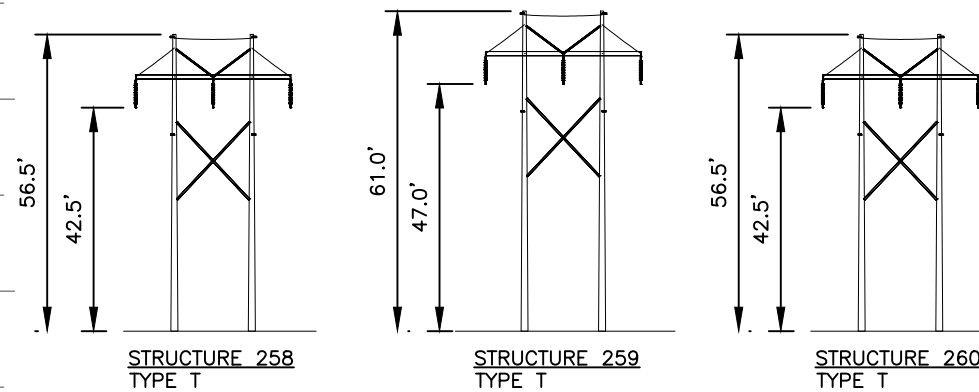


**LEGEND:**

- #260 STRUCTURE
- PROPERTY BOUNDARY
- B112 LINE 115KV LINE, Q OF CONSTRUCTION
- LIMITS OF EVERSOURCE RIGHT OF WAY
- TRAIL

STRUCTURE LOCATION		
STRUCTURE	LONGITUDE	LATITUDE
258	-71.22616014	43.84800790
259	-71.22445302	43.84794691
260	-71.22269511	43.84788407

NESC VERTICAL CLEARANCE (FT) FROM TABLE 232.1, C2-2012	
NATURE OF SURFACE UNDERNEATH WIRES, CONDUCTORS OR CABLES	115kV
OTHER AREAS TRAVERSED BY VEHICLES SUCH AS CULTIVED, GRAZING, FOREST AND ORCHARD LANDS, INDUSTRIAL SITES, COMMERCIAL SITES, ECT.	20.1



STR 258: IS A EVERSOURCE TYPE T, SINGLE CIRCUIT STEEL TANGENT, HORIZONTAL CONFIG.  
STR 259: IS A EVERSOURCE TYPE T, SINGLE CIRCUIT STEEL TANGENT, HORIZONTAL CONFIG.  
STR 260: IS A EVERSOURCE TYPE T, SINGLE CIRCUIT STEEL TANGENT, HORIZONTAL CONFIG.

CABLE SCHEDULE						
WIRE	QTY OF CABLES	DESCRIPTION	DESIGN CONDITIONS			
			MAX DESIGN TENSION (lb)	TEMP (°F)	ICE (in)	WIND (psf)
CONDUCTOR	3	ACSS, 1272 kcmil 54/19, PHEASANT	10000	0	0.5	4
OPGW	2	48F ø0.646", AFL DNO-11852	5000	0	0.5	4

- NOTES:**
- PARCEL INFORMATION PROVIDED BY NH GRANIT.
  - ELEVATIONS REFERENCED TO THE NORTH AMERICAN VERTICAL DATUM OF 1988.

**EVERSOURCE ENERGY**

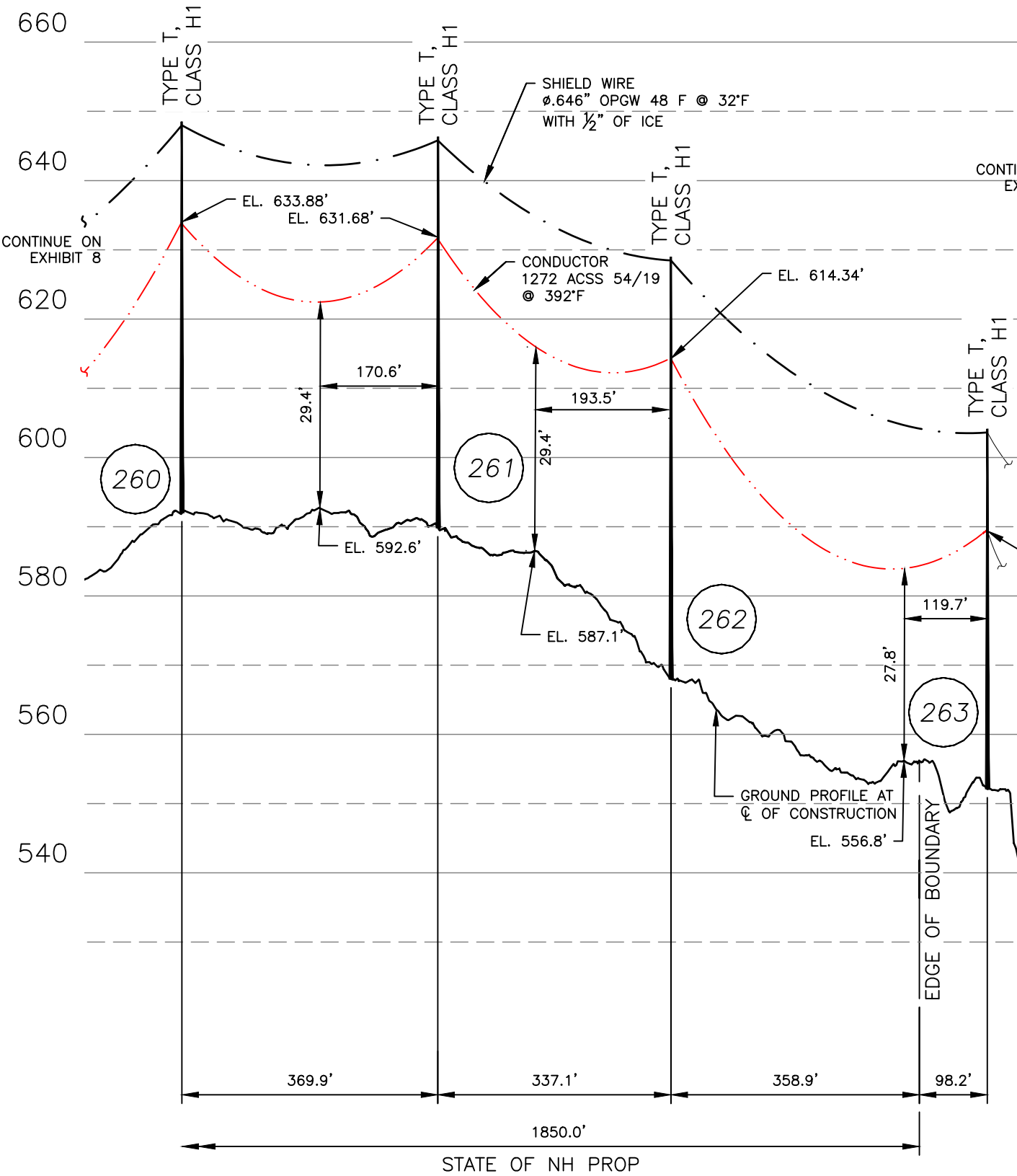
B112, 115kV LINE  
STATE OWNED LAND CROSSING  
TAMWORTH, NEW HAMPSHIRE  
EXHIBIT 8

T 0  
DRAWN NEB  
ENGINEER CRP  
CHECKED JJD  
APPROVED CRP  
DATE 2/21/22

SCALE AS SHOWN  
FILE: B11243501.DWG  
DRAWING NO. B11243501

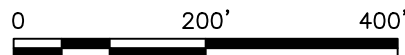
DWG REV	ISSUE TO DOE	EPN/DESCRIPTION	CONT/PE#	DATE	DRN	CHKD	APPR
0	ISSUE TO DOE			9/19/22	NEB	JJD	CRP





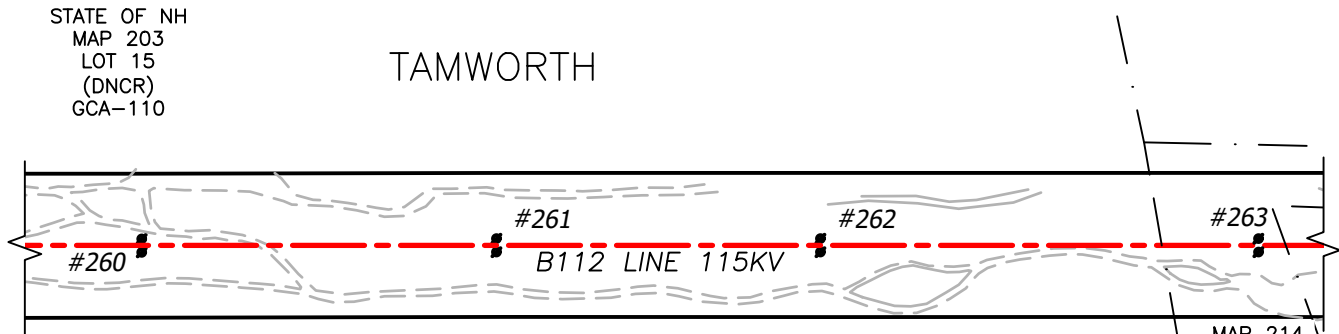
### PROFILE VIEW

SCALE: HORZ 1" = 200'  
VERT 1" = 20'



### NOTES:

1. PARCEL INFORMATION PROVIDED BY NH GRANIT.
2. ELEVATIONS REFERENCED TO THE NORTH AMERICAN VERTICAL DATUM OF 1988.



### PLAN VIEW

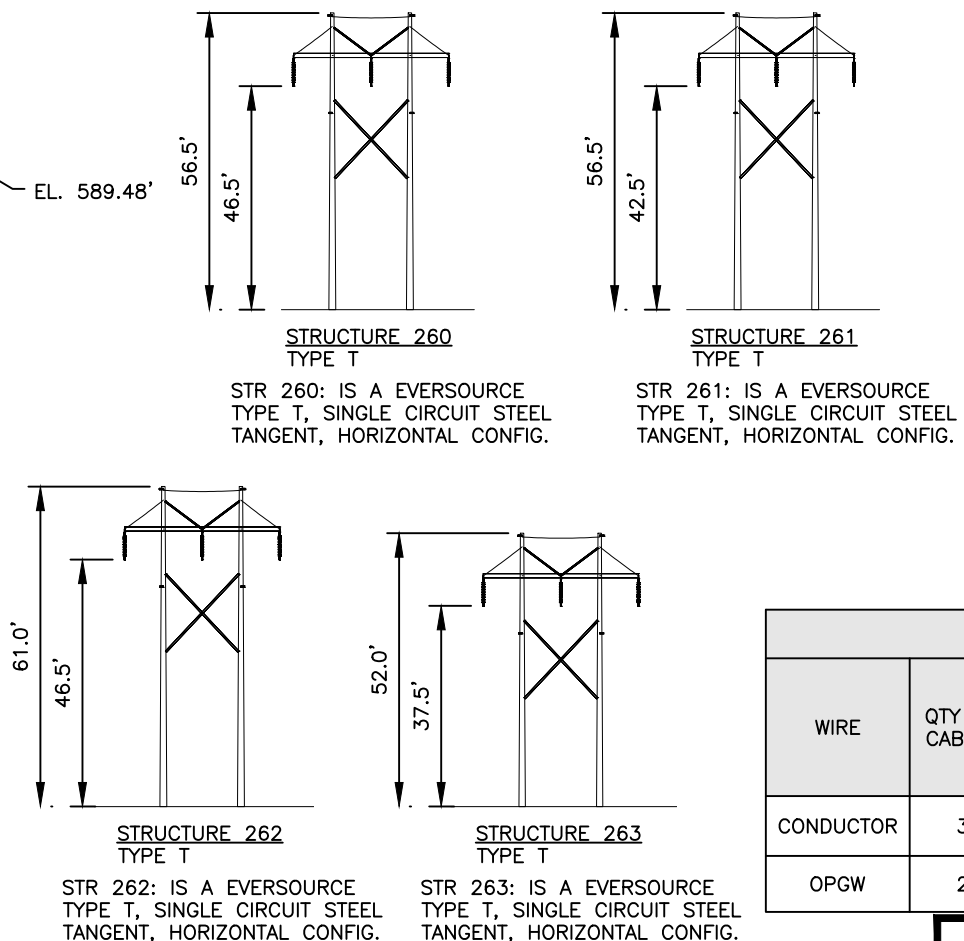
SCALE: 1" = 200'

### LEGEND:

- #262 STRUCTURE
- PROPERTY BOUNDARY
- B112 LINE 115KV LINE,  $\phi$  OF CONSTRUCTION
- LIMITS OF EVERSOURCE RIGHT OF WAY
- TRAIL

STRUCTURE LOCATION		
STRUCTURE	LONGITUDE	LATITUDE
260	-71.22269511	43.84788407
261	-71.22129476	43.84783400
262	-71.22001862	43.84778835
263	-71.21829001	43.84772650

NESC VERTICAL CLEARANCE (FT) FROM TABLE 232.1, C2-2012	
NATURE OF SURFACE UNDERNEATH WIRES, CONDUCTORS OR CABLES	115kV
OTHER AREAS TRAVERSED BY VEHICLES SUCH AS CULTIVED, GRAZING, FOREST AND ORCHARD LANDS, INDUSTRIAL SITES, COMMERCIAL SITES, ECT.	20.1



### STRUCTURE DETAIL

SCALE: NTS

CABLE SCHEDULE						
WIRE	QTY OF CABLES	DESCRIPTION	DESIGN CONDITIONS			
			MAX DESIGN TENSION (lb)	TEMP (°F)	ICE (in)	WIND (psf)
CONDUCTOR	3	ACSS, 1272 kcmil 54/19, PHEASANT	10000	0	0.5	4
OPGW	2	48F $\phi$ 0.646", AFL DNO-11852	5000	0	0.5	4

**B112, 115kV LINE  
STATE OWNED LAND CROSSING  
TAMWORTH, NEW HAMPSHIRE  
EXHIBIT 9**

DRAWN NEB ENGINEER CRP CHECKED JJD APPROVED CRP DATE 2/21/22	T 0 DRAWING NO. <b>B11243501</b>
---	--

DWG REV	ISSUE TO DOE EPN/DESCRIPTION	CONT/PE#	DATE	DRN	CHKD	CRP	APPR
0	ISSUE TO DOE		9/19/22	NEB	JJD	CRP	

SCALE AS SHOWN	FILE: B11243501.DWG IMAGE:	DRAWING NO. <b>B11243501</b>
-------------------	-------------------------------	---------------------------------